

Technical Product Sheet

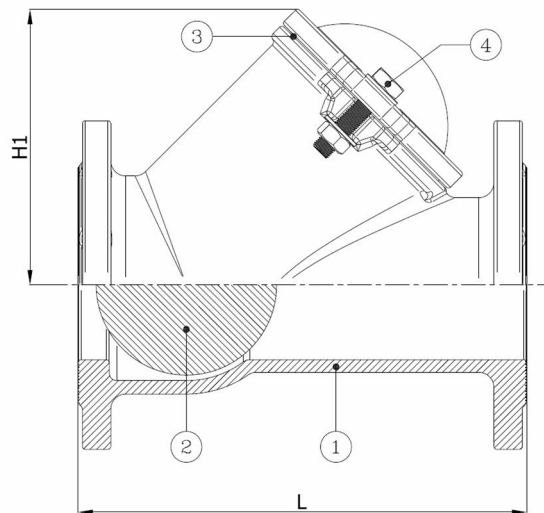


BV41AQ-3444B-PN16

Ball check valve, flanged PN16 with sinking ball
Face to Face Standard: EN 558-1 series 48



Item Number	Belven Ref.
41A3445B0040	BV41AQ-3444B-PN16 DN040
41A3445B0050	BV41AQ-3444B-PN16 DN050
41A3445B0065	BV41AQ-3444B-PN16 DN065
41A3445B0080	BV41AQ-3444B-PN16 DN080
41A3445B0100	BV41AQ-3444B-PN16 DN100
41A3445B0125	BV41AQ-3444B-PN16 DN125
41A3445B0150	BV41AQ-3444B-PN16 DN150
41A3445B0200	BV41AQ-3444B-PN16 DN200



DN/Size	L	H1	Press.Cl.	Weight(kg)
DN040 (1 1/2")	180	85	PN16	6.00
DN050 (2")	200	100	PN16	7.00
DN065 (2 1/2")	240	125	PN16	10.50
DN080 (3")	260	136	PN16	11.90
DN100 (4")	300	185	PN16	17.40
DN125 (5")	350	196	PN16	22.50
DN150 (6")	400	265	PN16	37.50
DN200 (8")	500	340	PN16	68.50

Item 1	Item 2	Item 3
Body Material	Disc Material	Seat Material
Ductile iron : GGG50 + Epoxy coating		

Belven N.V.

Blokhuisstraat 24 | 2800 Mechelen | Belgium
Tel. 015 29 40 70 | Fax. 015 20 14 13 | info@belven.com | www.belven.com

We keep the right to change the mentioned dimensions, weights, values and materials at any time without prior or direct notice.