

# Technical Product Sheet

## BV4-6666T-PN16 - Double Acting

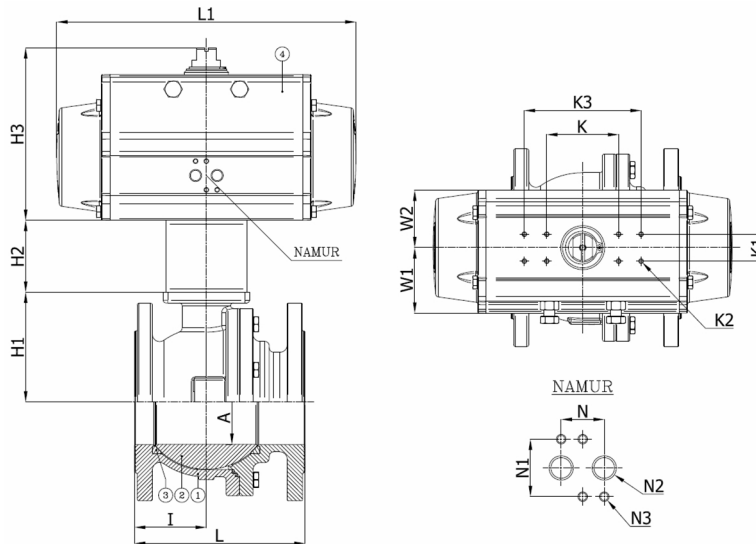
Ball valve, full bore, split body, flanged PN16, with double acting actuator

Face to Face Standard: EN 558-1 series 27

The actuator is selected for 25°C water with a pressure drop of 16 bar with 6 bar supply air pressure and minimum 1 cycle per week



Item Number	Belven Ref.
043D77DA1065	BV4-6666T-PN16-DN065 - DA085
043D77DA1080	BV4-6666T-PN16-DN080 - DA100
043D77DA1100	BV4-6666T-PN16-DN100 - DA100
043D77DA1125	BV4-6666T-PN16-DN125 - DA115
043D77DA1150	BV4-6666T-PN16-DN150 - DA125
043D77DA1200	BV4-6666T-PN16-DN200 - DA160



DN/Size	L	H1	H2	H3	A	I	L1	W1	W2	Press.Cl.	Weight(kg)
DN065 (2 1/2")	170	93,5	60	145	64	61	240,5	58,5	47,5	PN16	20.40
DN080 (3")	180	108	80	157,8	76	75,5	275	68	55	PN16	25.00
DN100 (4")	190	122	80	157,8	95	80	275	68	55	PN16	32.60
DN125 (5")	325	144	80	192,4	125	149	333	73	64	PN16	57.40
DN150 (6")	350	177	100	204,4	150	157	372	80	68	PN16	86.80
DN200 (8")	400	220	100	251	200	190	500	99	87	PN16	156.80

Item 1	Item 2	Item 3	Item 4
Body Material	Ball Material	Seat Material	Actuator Material
Stainless steel : 1.4408 (CF8M)	Stainless steel : A182-F316 / A351-CF8M	PTFE	Extruded aluminium

Belven N.V.

Blokhuisstraat 24 | 2800 Mechelen | Belgium

Tel. 015 29 40 70 | Fax. 015 20 14 13 | [info@belven.com](mailto:info@belven.com) | [www.belven.com](http://www.belven.com)

We keep the right to change the mentioned dimensions, weights, values and materials at any time without prior or direct notice.