

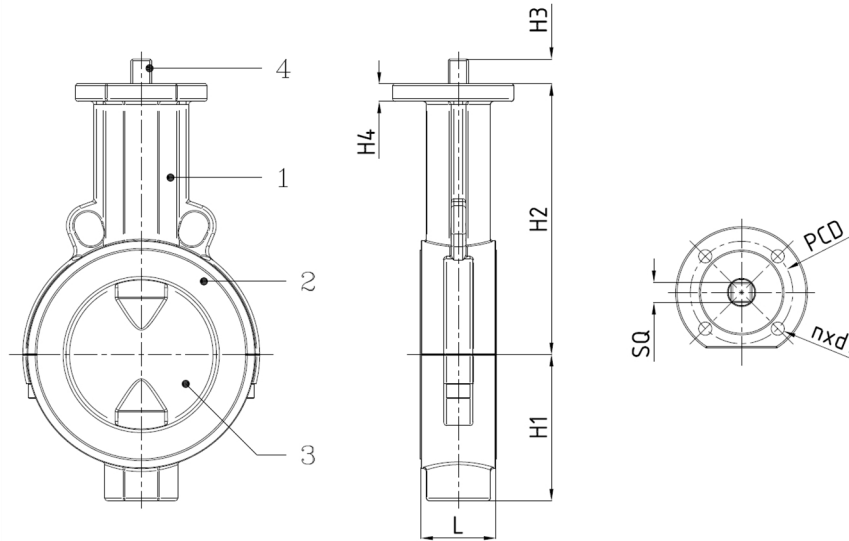
Technical Product Sheet

BV10-2966P-PN10 - Bare Shaft

Wafer type butterfly valve, mounting between flanges PN10/PN16(DN50-150) or PN10(DN200-300), bare shaft
Face to Face Standard: EN 558-1 Table 1 series 20



Item Number	Belven Ref.
103077P0050	BV10-2966P-PN10-DN050 - BARE SHAFT
103077P0065	BV10-2966P-PN10-DN065 - BARE SHAFT
103077P0080	BV10-2966P-PN10-DN080 - BARE SHAFT
103077P0100	BV10-2966P-PN10-DN100 - BARE SHAFT
103077P0125	BV10-2966P-PN10-DN125 - BARE SHAFT
103077P0150	BV10-2966P-PN10-DN150 - BARE SHAFT
103077P0200	BV10-2966P-PN10-DN200 - BARE SHAFT
103077P0250	BV10-2966P-PN10-DN250 - BARE SHAFT
103077P0300	BV10-2966P-PN10-DN300 - BARE SHAFT



DN/Size	L	H1	H2	H3	H4	SQ	ISO	PCD	n x d1	Press.Cl.	Weight(kg)
DN050 (2")	43	56	130	17	12	11	F07	70	4 x d9	PN10	3.00
DN065 (2 1/2")	46	67	146	17	12	11	F07	70	4 x d9	PN10	4.00
DN080 (3")	46	84	165	17	12	11	F07	70	4 x d9	PN10	5.00
DN100 (4")	52	100	185	17	12	14	F07	70	4 x d9	PN10	6.30
DN125 (5")	56	110	202	17	12	14	F07	70	4 x d9	PN10	7.70
DN150 (6")	56	125	217	22	12	17	F07	70	4 x d9	PN10	10.00
DN200 (8")	60	158	245	26	16	19	F10	102	4 x d12	PN10	17.00
DN250 (10")	68	190	270	30	16	22	F10	102	4 x d12	PN10	25.00
DN300 (12")	78	225	308	30	16	22	F10	102	4 x d12	PN10	37.00

Item 1	Item 2	Item 3	Item 4
Body Material	Seat Material	Disc Material	Actuator Material
Ductile iron : GGG40 + Epoxy coating	PTFE	Stainless steel : 1.4469 (>200 1.4404)	SS Stem 1.4469 (>200 1.4462)

Belven N.V.

Blokhuisstraat 24 | 2800 Mechelen | Belgium
Tel. 015 29 40 70 | Fax. 015 20 14 13 | info@belven.com | www.belven.com

We keep the right to change the mentioned dimensions, weights, values and materials at any time without prior or direct notice.