

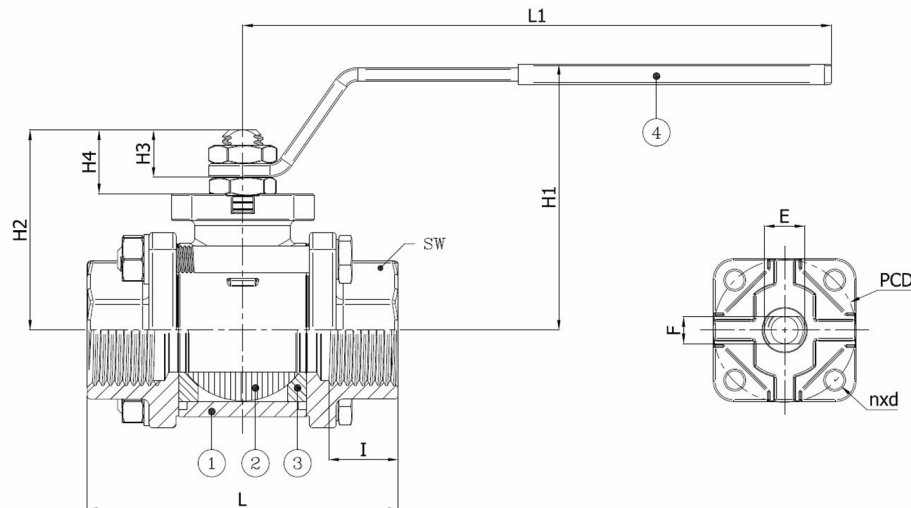
Technical Product Sheet

BV3-2466T-NPT - Lever

Ball valve with 3-pce body, full bore, NPT threaded F/F, ISO 5211 mounting platform, with lever
Face to Face Standard: Factory standard



| Item Number | Belven Ref. |
|-------------|--------------------------------|
| 036357T1008 | BV3-2466T-NPT - 1/4" - LEVER |
| 036357T1010 | BV3-2466T-NPT - 3/8" - LEVER |
| 036357T1015 | BV3-2466T-NPT - 1/2" - LEVER |
| 036357T1020 | BV3-2466T-NPT - 3/4" - LEVER |
| 036357T1025 | BV3-2466T-NPT - 1" - LEVER |
| 036357T1032 | BV3-2466T-NPT - 1 1/4" - LEVER |
| 036357T1040 | BV3-2466T-NPT - 1 1/2" - LEVER |
| 036357T1050 | BV3-2466T-NPT - 2" - LEVER |
| 036357T1065 | BV3-2466T-NPT - 2 1/2" - LEVER |
| 036357T1080 | BV3-2466T-NPT - 3" - LEVER |
| 036357T1100 | BV3-2466T-NPT - 4" - LEVER |



| DN/Size | L | H1 | H2 | H3 | H4 | I | L1 | SW | E | F | ISO | PCD | n x d | Press.Cl. | Weight(kg) |
|----------------|-----|-----|-----|------|------|------|-----|-----|----|----|-----|-----|---------|-----------|------------|
| DN008 (1/4") | 57 | 50 | 35 | 9 | 13,5 | 11 | 110 | 22 | 8 | 5 | | | | PN64 | 0.30 |
| DN010 (3/8") | 57 | 50 | 35 | 9 | 13,5 | 11,4 | 110 | 22 | 8 | 5 | | | | PN64 | 0.30 |
| DN015 (1/2") | 65 | 64 | 47 | 10 | 15 | 15 | 131 | 27 | 10 | 7 | F03 | 36 | 4 x 6 | PN64 | 0.50 |
| DN020 (3/4") | 76 | 68 | 52 | 10 | 16 | 16,3 | 131 | 32 | 10 | 7 | F04 | 42 | 4 x 5,5 | PN40 | 0.70 |
| DN025 (1") | 92 | 79 | 60 | 12,5 | 19,5 | 19,1 | 174 | 41 | 12 | 8 | F04 | 42 | 4 x 6 | PN40 | 1.20 |
| DN032 (1 1/4") | 106 | 83 | 64 | 12,5 | 19,5 | 21,4 | 174 | 50 | 12 | 8 | F04 | 42 | 4 x 5,5 | PN25 | 1.70 |
| DN040 (1 1/2") | 116 | 100 | 79 | 16,5 | 24 | 21,5 | 250 | 55 | 16 | 10 | F05 | 50 | 4 x 6,5 | PN25 | 2.50 |
| DN050 (2") | 136 | 107 | 86 | 16,5 | 24 | 25,7 | 250 | 70 | 16 | 10 | F05 | 50 | 4 x 6,5 | PN25 | 3.90 |
| DN065 (2 1/2") | 153 | 126 | 103 | 18 | 28 | 30,2 | 321 | 90 | 20 | 14 | F07 | 70 | 4 x M8 | PN16 | 8.15 |
| DN080 (3") | 180 | 137 | 114 | 18 | 28 | 33,3 | 321 | 105 | 20 | 14 | F07 | 70 | 4 x M8 | PN16 | 12.80 |
| DN100 (4") | 217 | 156 | 137 | 22 | 34,5 | 39,3 | 381 | 130 | 24 | 18 | F10 | 102 | 4 x M10 | PN16 | 21.50 |

| Item 1 | Item 2 | Item 3 | Item 4 |
|-------------------------|--------------------------------------|---------------|-------------------|
| Body Material | Ball Material | Seat Material | Actuator Material |
| Carbon steel : A216 WCB | Stainless steel : A351 CF8/A182-F304 | PTFE | Carbon steel |

Belven N.V.

Blokhuisstraat 24 | 2800 Mechelen | Belgium
Tel. 015 29 40 70 | Fax. 015 20 14 13 | info@belven.com | www.belven.com

We keep the right to change the mentioned dimensions, weights, values and materials at any time without prior or direct notice.