

Technical Product Sheet



BV4S-4766T-PN10/PN16 - Double Acting

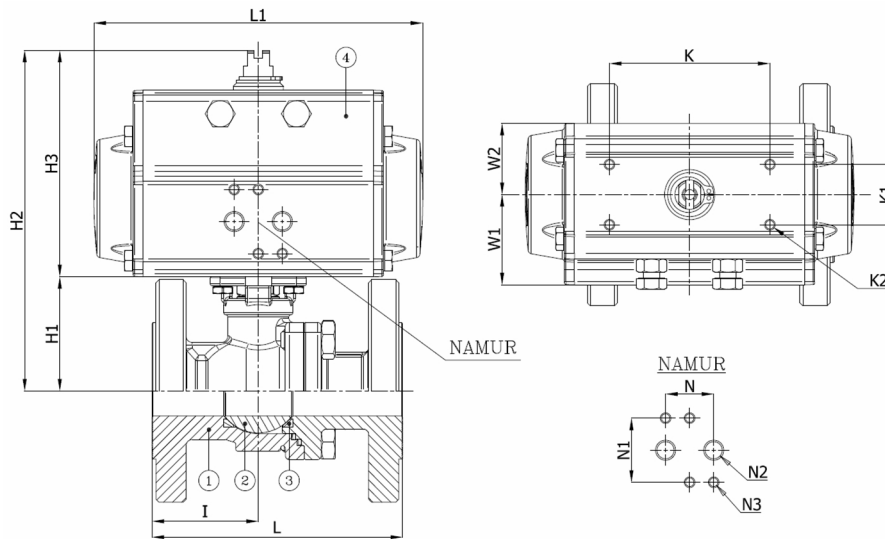
Ball valve, full bore, split body, flanged PN10/PN16, with double acting actuator

Face to Face Standard: EN 558-1 series 27

The actuator is selected for 25°C water with a pressure drop of 16 bar with 6 bar supply air pressure and minimum 1 cycle per week



| Item Number | Belven Ref. |
|---------------|-------------------------------|
| 04S3D07DA2065 | BV4S-4766T-PN16-DN065 - DA085 |
| 04S3D07DA2080 | BV4S-4766T-PN16-DN080 - DA100 |
| 04S3D07DA2100 | BV4S-4766T-PN16-DN100 - DA100 |



| DN/Size | L | H1 | H2 | H3 | I | L1 | W1 | W2 | K | K1 | K2 | N | N1 | N2 | N3 | Press.Cl. | Weight(kg) |
|----------------|-----|-------|-------|-------|------|-------|------|------|----|----|----|----|----|------|----|-----------|------------|
| DN065 (2 1/2") | 170 | 111 | 256 | 145 | 63 | 240,5 | 58,5 | 47,5 | 80 | 30 | M5 | 24 | 32 | 1/8" | M5 | PN16 | 17.10 |
| DN080 (3") | 180 | 120 | 277,8 | 157,8 | 75,5 | 275 | 68 | 55 | 80 | 30 | M5 | 24 | 32 | 1/4" | M5 | PN16 | 22.70 |
| DN100 (4") | 190 | 134,5 | 292,3 | 157,8 | 80 | 275 | 68 | 55 | 80 | 30 | M5 | 24 | 32 | 1/4" | M5 | PN16 | 28.90 |

| Item 1 | Item 2 | Item 3 | Item 4 |
|--------------------------------------|--------------------------------------|---------------|--------------------|
| Body Material | Ball Material | Seat Material | Actuator Material |
| Low-temperature steel : 1.1156 (LCB) | Stainless steel : A182-F304/A351-CF8 | PTFE | Extruded aluminium |

Belven N.V.

Blokhuisstraat 24 | 2800 Mechelen | Belgium

Tel. 015 29 40 70 | Fax. 015 20 14 13 | info@belven.com | www.belven.com

We keep the right to change the mentioned dimensions, weights, values and materials at any time without prior or direct notice.