

Technical Product Sheet

BV4-4466R-A300 - Single Acting (AFC)

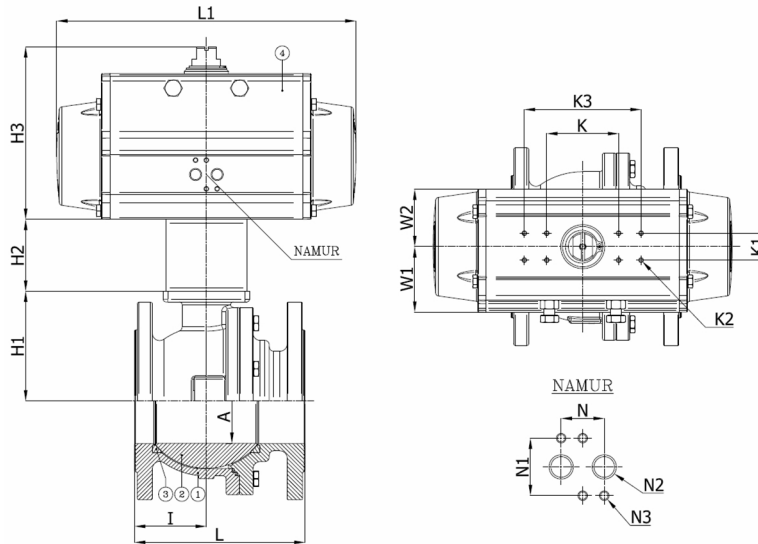
Ball valve, full bore, split body, flanged ANSI 300lbs, with spring return actuator AFC

Face to Face Standard: ANSI B16.10

The actuator is selected for 25°C water with a pressure drop of 16 bar with 6 bar supply air pressure and minimum 1 cycle per week, at air pressure failure the springs will put the valve in closed position



| Item Number | Belven Ref. |
|--------------|------------------------------|
| 048A57SA1015 | BV4-4466R-A300-DN015 - SR052 |
| 048A57SA1020 | BV4-4466R-A300-DN020 - SR063 |
| 048A57SA1025 | BV4-4466R-A300-DN025 - SR075 |
| 048A57SA1040 | BV4-4466R-A300-DN040 - SR085 |
| 048A57SA1050 | BV4-4466R-A300-DN050 - SR085 |
| 048A57SA1080 | BV4-4466R-A300-DN080 - SR115 |
| 048A57SA1100 | BV4-4466R-A300-DN100 - SR115 |
| 048A57SA1150 | BV4-4466R-A300-DN150 - SR180 |



| DN/Size | L | H1 | H2 | H3 | I | L1 | W1 | W2 | K | K3 | K1 | K2 | N | N1 | N2 | N3 | Press.Cl. | Weight(kg) |
|----------------|-----|------|-----|-------|------|-------|------|------|----|-----|----|----|----|----|------|----|-----------|------------|
| DN015 (1/2") | 140 | 33 | 50 | 101,5 | 61,5 | 141 | 41 | 30 | 80 | | 30 | M5 | 24 | 32 | 1/8" | M5 | A300 | 4.10 |
| DN020 (3/4") | 152 | 37 | 50 | 113 | 61 | 164 | 45 | 35,5 | 80 | | 30 | M5 | 24 | 32 | 1/8" | M5 | A300 | 6.20 |
| DN025 (1") | 165 | 45 | 60 | 131 | 70,5 | 210 | 52,5 | 42 | 80 | | 30 | M5 | 24 | 32 | 1/8" | M5 | A300 | 9.30 |
| DN040 (1 1/2") | 190 | 77 | 60 | 145 | 78,5 | 240,5 | 58,5 | 47,5 | 80 | | 30 | M5 | 24 | 32 | 1/8" | M5 | A300 | 15.60 |
| DN050 (2") | 216 | 83,5 | 60 | 145 | 86 | 240,5 | 58,5 | 47,5 | 80 | | 30 | M5 | 24 | 32 | 1/8" | M5 | A300 | 17.20 |
| DN080 (3") | 283 | 108 | 80 | 192,4 | 81 | 333 | 73 | 64 | 80 | 130 | 30 | M5 | 24 | 32 | 1/4" | M5 | A300 | 37.50 |
| DN100 (4") | 305 | 122 | 80 | 192,4 | 88,5 | 333 | 73 | 64 | 80 | 130 | 30 | M5 | 24 | 32 | 1/4" | M5 | A300 | 50.60 |
| DN150 (6") | 403 | 177 | 100 | 283 | 172 | 493 | 115 | 98 | 80 | 130 | 30 | M5 | 24 | 32 | 1/4" | M5 | A300 | 124.50 |

| Item 1 | Item 2 | Item 3 | Item 4 |
|-------------------------|--|---------------|--------------------|
| Body Material | Ball Material | Seat Material | Actuator Material |
| Carbon steel : A216 WCB | Stainless steel : A182-F304 / A351-CF8 | RPTFE | Extruded aluminium |

Belven N.V.

Blokhuisstraat 24 | 2800 Mechelen | Belgium

Tel. 015 29 40 70 | Fax. 015 20 14 13 | info@belven.com | www.belven.com

We keep the right to change the mentioned dimensions, weights, values and materials at any time without prior or direct notice.