

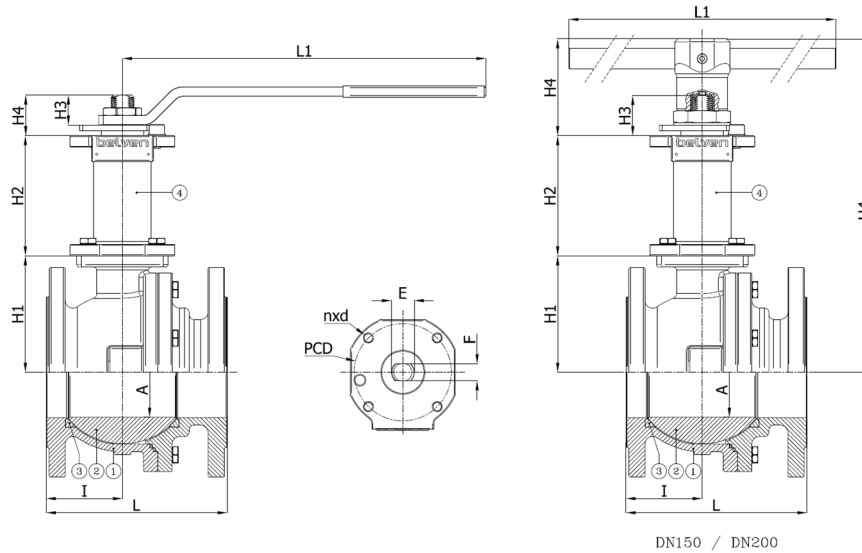
Technical Product Sheet

BV4-4466T-A150 - DSTE with Lever

Ball valve, full bore, split body, flanged ANSI 150lbs, incl. stainless steel stem extension with protective tube and lever
Face to Face Standard: ANSI B16.10



Item Number	Belven Ref.
047A57DSTE1015	BV4-4466T-A150-DN015 - DSTE-LEVER
047A57DSTE1020	BV4-4466T-A150-DN020 - DSTE-LEVER
047A57DSTE1025	BV4-4466T-A150-DN025 - DSTE-LEVER
047A57DSTE1040	BV4-4466T-A150-DN040 - DSTE-LEVER
047A57DSTE1050	BV4-4466T-A150-DN050 - DSTE-LEVER
047A57DSTE1080	BV4-4466T-A150-DN080 - DSTE-LEVER
047A57DSTE1100	BV4-4466T-A150-DN100 - DSTE-LEVER
047A57DSTE1150	BV4-4466T-A150-DN150 - DSTE-LEVER
047A57DSTE1200	BV4-4466T-A150-DN200 - DSTE-LEVER



DN150 / DN200

DN/Size	L	H1	H2	H3	H4	I	L1	E	F	ISO	PCD	n x d	Press.Cl.	Weight(kg)
DN015 (1/2")	108	33	110	8	51,5	46,5	131	M10	7	F04	42	4 x M5	A150	2.80
DN020 (3/4")	117	37	110	8	51	53	131	M10	7	F04	42	4 x M5	A150	3.30
DN025 (1")	127	45	113	13	37	59,5	174	M12	8	F05	50	4 x M6	A150	4.80
DN040 (1 1/2")	165	77	113	10	44,1	77	250	M16	10	F05	50	4 x M6	A150	8.10
DN050 (2")	178	83,5	121	18	51,8	86	321	M20	14	F07	70	4 x M8	A150	12.70
DN080 (3")	203	108	126	18	52,7	79,5	381	M24	18	F10	102	4 x M10	A150	24.10
DN100 (4")	229	122	126	18	52,7	110	381	M24	18	F10	102	4 x M10	A150	32.60
DN150 (6")	394	177	145	27,5	120,5	181	700	M42	30	F12	125	4 x M12	A150	86.00
DN200 (8")	457	220	145	27,5	120,5	212	700	M42	30	F12	125	4 x M12	A150	161.00

Item 1	Item 2	Item 3	Item 4
Body Material	Ball Material	Seat Material	Actuator Material
Carbon steel : A216 WCB	Stainless steel : A182-F304 / A351-CF8	PTFE	stainless steel AISI 316

Belven N.V.

Blokhuisstraat 24 | 2800 Mechelen | Belgium
Tel. 015 29 40 70 | Fax. 015 20 14 13 | info@belven.com | www.belven.com

We keep the right to change the mentioned dimensions, weights, values and materials at any time without prior or direct notice.