

Technical Product Sheet

BV12NPA-2466E-PN10/PN16 - Electric 110/240V

AC

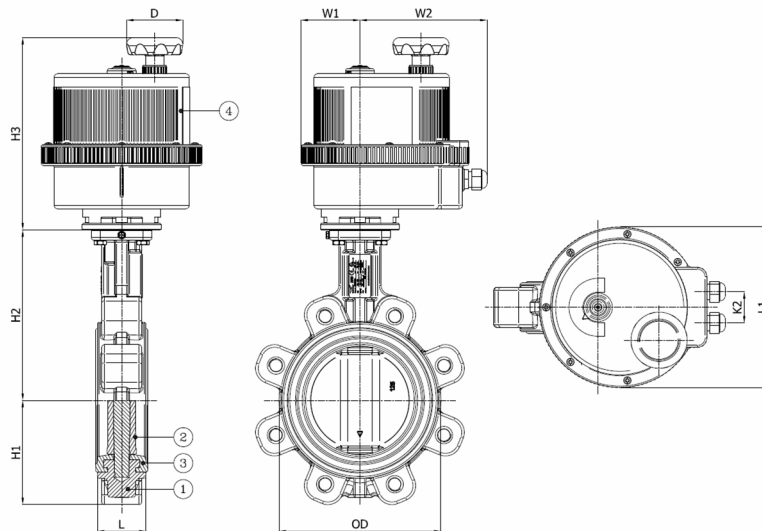
Lug type butterfly valve, mounting between flanges PN10/PN16, with electric actuator

Face to Face Standard: EN 558-1 Table 1 series 20

The actuator is selected for 20°C water with a pressure drop of 6 bar and minimum 1 cycle per week - 110/240V AC



Item Number	Belven Ref.
12HCD226EXVV0050	BV12NPA-2466E-PN16-DN050 - VB015 110/240VAC
12HCD226EXVV0065	BV12NPA-2466E-PN16-DN065 - VB015 110/240VAC
12HCD226EXVV0080	BV12NPA-2466E-PN16-DN080 - VB030 110/240VAC
12HCD226EXVV0100	BV12NPA-2466E-PN16-DN100 - VB060 110/240VAC
12HCD226EXVV0125	BV12NPA-2466E-PN16-DN125 - VB060 110/240VAC
12HCD226EXVV0150	BV12NPA-2466E-PN16-DN150 - VB060 110/240VAC



DN/Size	L	H1	H2	H3	OD	L1	W2	W1	D	K2	Press.Cl.	Weight(kg)
DN050 (2")	43	65	143	148,5	96	123	120,5	42,5	68	32	PN16	5.10
DN065 (2 1/2")	46	71	155	148,5	110	123	120,5	42,5	68	32	PN16	5.70
DN080 (3")	46	77	162	195	124	157	129,5	60,5	65	36	PN16	7.10
DN100 (4")	52	107	181	222	148	185	146,5	67,5	65	36	PN16	11.20
DN125 (5")	56	122	197	222	180	185	146,5	67,5	65	36	PN16	13.10
DN150 (6")	56	150	210	222	206	185	146,5	67,5	65	36	PN16	14.10

Item 1	Item 2	Item 3	Item 4
Body Material	Seat Material	Disc Material	Actuator Material
Ductile iron : GGG40 + Epoxy coating	EPDM	Stainless steel : CF8M	Self-extinguishing polymer

Belven N.V.

Blokhuisstraat 24 | 2800 Mechelen | Belgium
 Tel. 015 29 40 70 | Fax. 015 20 14 13 | info@belven.com | www.belven.com

We keep the right to change the mentioned dimensions, weights, values and materials at any time without prior or direct notice.