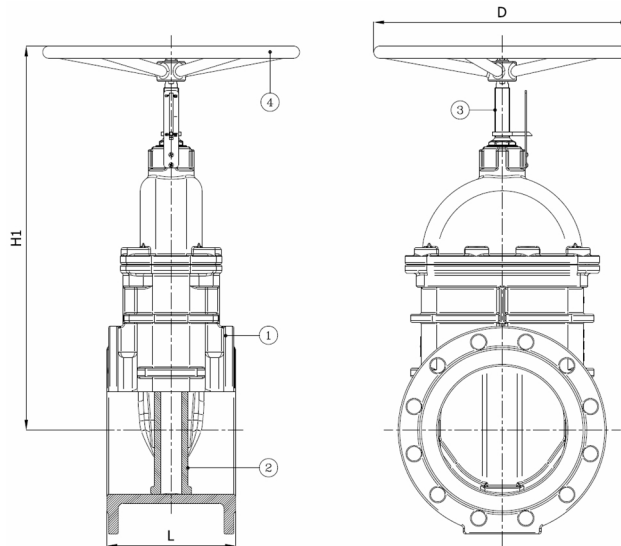


BV49A-3434B-F4-PN10 - Handwiel

Schuifafsluiter, geflensd PN10, rubberbeklede schuif, F4 korte bouwlengte, met handwiel
Norm Bouwlengte: EN 558-1 reeks 14



Artikelnummer	Belven Ref.
49A2444B2200	BV49A-3434B-F4-PN10 DN200 - HANDWHEEL
49A2444B2250	BV49A-3434B-F4-PN10 DN250 - HANDWHEEL
49A2444B2300	BV49A-3434B-F4-PN10 DN300 - HANDWHEEL
49A2444B2350	BV49A-3434B-F4-PN10 DN350 - HANDWHEEL
49A2444B2400	BV49A-3434B-F4-PN10 DN400 - HANDWHEEL
49A2444B2450	BV49A-3434B-F4-PN10 DN450 - HANDWHEEL
49A2444B2500	BV49A-3434B-F4-PN10 DN500 - HANDWHEEL
49A2444B2600	BV49A-3434B-F4-PN10 DN600 - HANDWHEEL



DN/Inch	L	H1	D	Drukl.	Gewicht(kg)
DN200 (8")	230	647	450	PN10	58,00
DN250 (10")	250	753	500	PN10	90,00
DN300 (12")	270	815	500	PN10	133,00
DN350 (14")	290	867	550	PN10	180,00
DN400 (16")	310	941	550	PN10	261,00
DN450 (18")	330	1062	550	PN10	345,00
DN500 (20")	350	1141	600	PN10	415,00
DN600 (24")	390	1293	700	PN10	575,00