

Technical Product Sheet

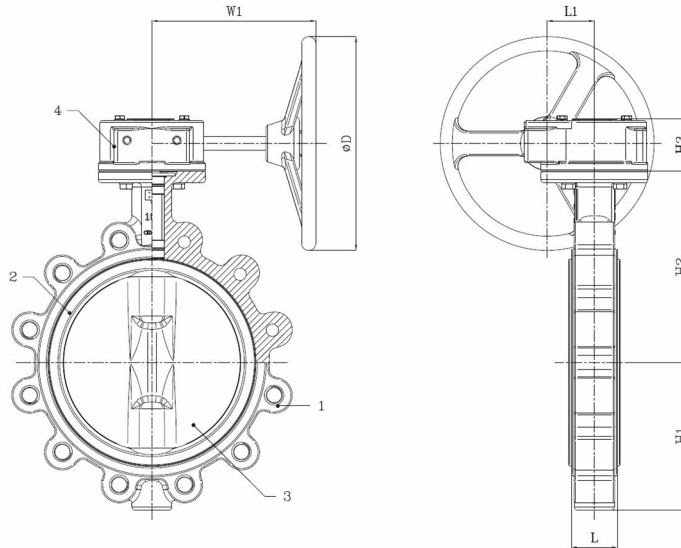
BV12-2425E-PN10 - Gearbox

Lug type butterfly valve, mounting between flanges PN10, with gearbox

Face to Face Standard: EN 558-1 Table 1 series 20



Item Number	Belven Ref.
121023E3200	BV12-2425E-PN10-DN200 - GEARBOX
121023E3250	BV12-2425E-PN10-DN250 - GEARBOX
121023E3300	BV12-2425E-PN10-DN300 - GEARBOX



DN/Size	L	H1	H2	H3	L1	D	W1	Press.Cl.	Weight(kg)
DN200 (8")	60	168	237	80,5	63	300	237	PN10	26.50
DN250 (10")	68	207	268,3	80,5	63	300	237	PN10	36.50
DN300 (12")	78	243,5	308,5	80,5	78	300	225	PN10	67.00

Item 1	Item 2	Item 3	Item 4
Body Material	Seat Material	Disc Material	Actuator Material
Ductile iron : GGG40 + Epoxy coating	EPDM	Nickel plated : GGG40 + Ni	Cast iron

Belven N.V.

Blokhuisstraat 24 | 2800 Mechelen | Belgium

Tel. 015 29 40 70 | Fax. 015 20 14 13 | info@belven.com | www.belven.com

We keep the right to change the mentioned dimensions, weights, values and materials at any time without prior or direct notice.