

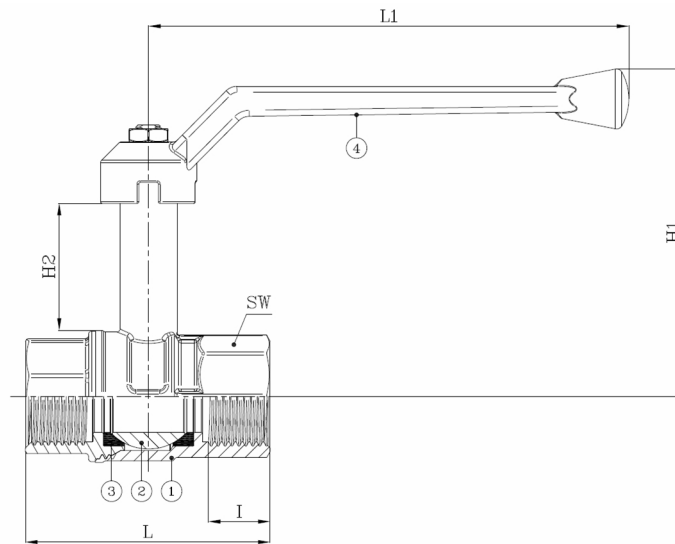
Technical Product Sheet

BV2-I-340T-BSP (F/F)

Brass 2-way ball valve, full bore, threaded F/F ISO 7/1-Rp, with integral stem extension and lever
Face to Face Standard: Factory standard



| Item Number | Belven Ref. |
|---------------|---|
| 02I4111T1A015 | BV2-340T-BSP 1/2"+ INTEGR. STEM EXTENSION+LEVER |
| 02I4111T1A020 | BV2-340T-BSP 3/4"+ INTEGR. STEM EXTENSION+LEVER |
| 02I4111T1A025 | BV2-340T-BSP 1"+ INTEGR. STEM EXTENSION+LEVER |
| 02I4111T1A032 | BV2-340T-BSP 1"1/4"+ INTEGR. STEM EXTENSION+LEVER |
| 02I4111T1A040 | BV2-340T-BSP 1"1/2"+ INTEGR. STEM EXTENSION+LEVER |
| 02I4111T1A050 | BV2-340T-BSP 2"+ INTEGR. STEM EXTENSION+LEVER |



| DN/Size | L | H1 | H2 | I | L1 | SW | Press.Cl. | Weight(kg) |
|----------------|-------|-------|----|------|-----|----|-----------|------------|
| DN015 (1/2") | 59 | 93 | 46 | 15 | 95 | 25 | PN50 | 0.23 |
| DN020 (3/4") | 67 | 104 | 47 | 16,3 | 110 | 31 | PN40 | 0.37 |
| DN025 (1") | 81,5 | 107,5 | 47 | 19,1 | 110 | 38 | PN40 | 0.52 |
| DN032 (1 1/4") | 94 | 137,5 | 63 | 21,4 | 160 | 48 | PN40 | 0.89 |
| DN040 (1 1/2") | 102,5 | 143,5 | 63 | 21,4 | 160 | 54 | PN40 | 1.21 |
| DN050 (2") | 123 | 173 | 75 | 25,7 | 170 | 67 | PN40 | 2.04 |

| Item 1 | Item 2 | Item 3 | Item 4 |
|-----------------------------|-----------------------------|---------------|-----------------------------|
| Body Material | Ball Material | Seat Material | Actuator Material |
| Brass : CW617N UNI EN 12420 | Brass : CW617N UNI EN 12420 | PTFE | Aluminium alloy EN AC-46100 |

Belven N.V.

Blokhuisstraat 24 | 2800 Mechelen | Belgium
Tel. 015 29 40 70 | Fax. 015 20 14 13 | info@belven.com | www.belven.com

We keep the right to change the mentioned dimensions, weights, values and materials at any time without prior or direct notice.