

Technical Product Sheet

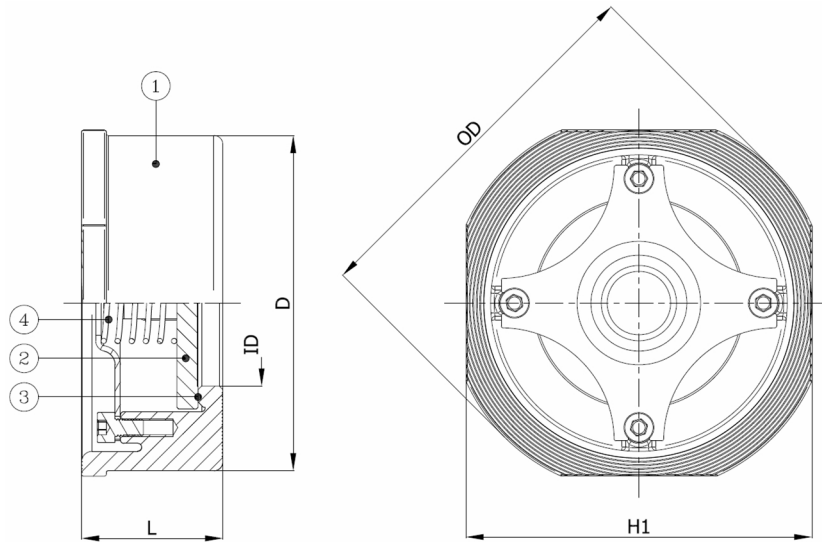
BV36-6666B-PN10/PN16/PN25/PN40

Wafer type disc check valve, mounting between flanges PN10/PN16/PN25/PN40

Face to Face Standard: EN 558-1 series 49



| Item Number | Belven Ref. |
|-------------|-----------------------|
| 365078B0015 | BV36-6666B-PN40-DN015 |
| 365078B0020 | BV36-6666B-PN40-DN020 |
| 365078B0025 | BV36-6666B-PN40-DN025 |
| 365078B0032 | BV36-6666B-PN40-DN032 |
| 365078B0040 | BV36-6666B-PN40-DN040 |
| 365078B0050 | BV36-6666B-PN40-DN050 |
| 365078B0065 | BV36-6666B-PN40-DN065 |
| 365078B0080 | BV36-6666B-PN40-DN080 |
| 365078B0100 | BV36-6666B-PN40-DN100 |



| DN/Size | L | H1 | ID | OD | D | Press.Cl. | Weight(kg) |
|----------------|----|-----|----|-----|-----|-----------|------------|
| DN015 (1/2") | 16 | 43 | 15 | 53 | 43 | PN40 | 0.11 |
| DN020 (3/4") | 19 | 53 | 20 | 63 | 53 | PN40 | 0.20 |
| DN025 (1") | 22 | 63 | 25 | 73 | 63 | PN40 | 0.27 |
| DN032 (1 1/4") | 28 | 75 | 30 | 84 | 75 | PN40 | 0.44 |
| DN040 (1 1/2") | 32 | 86 | 38 | 94 | 86 | PN40 | 0.64 |
| DN050 (2") | 40 | 95 | 47 | 107 | 95 | PN40 | 0.96 |
| DN065 (2 1/2") | 46 | 115 | 62 | 126 | 115 | PN40 | 1.44 |
| DN080 (3") | 50 | 131 | 77 | 145 | 131 | PN40 | 2.08 |
| DN100 (4") | 60 | 150 | 86 | 164 | 150 | PN40 | 3.31 |

| Item 1 | Item 2 | Item 3 |
|---------------------------------|-------------------------------------|---------------|
| Body Material | Disc Material | Seat Material |
| Stainless steel : 1.4408 (CF8M) | Stainless steel : 1.4436 (AISI 316) | NBR |

Belven N.V.

Blokhuisstraat 24 | 2800 Mechelen | Belgium

Tel. 015 29 40 70 | Fax. 015 20 14 13 | info@belven.com | www.belven.com

We keep the right to change the mentioned dimensions, weights, values and materials at any time without prior or direct notice.