

# Technical Product Sheet



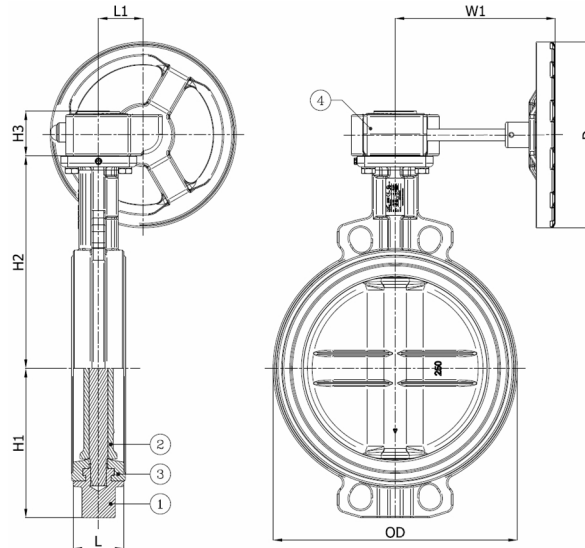
## BV10NPA-2466E-PN10/PN16 - Aluminium Gearbox

Wafer type butterfly valve, mounting between flanges PN10/PN16, with aluminium gearbox

Face to Face Standard: EN 558-1 Table 1 series 20



Item Number	Belven Ref.
10HCD226E5A0200	BV10NPA-2466E-PN16-DN200 - ALU GEARBOX
10HCD226E5A0250	BV10NPA-2466E-PN16-DN250 - ALU GEARBOX
10HCD226E5A0300	BV10NPA-2466E-PN16-DN300 - ALU GEARBOX



DN/Size	L	H1	H2	H3	OD	L1	D	W1	Press.Cl.	Weight(kg)
DN200 (8")	60	165	240	58	259	60	250	215	PN16	17.00
DN250 (10")	68	201	286	58	320	60	250	215	PN16	24.70
DN300 (12")	78	234	309	58	370	60	250	215	PN16	36.00

Item 1	Item 2	Item 3	Item 4
<b>Body Material</b>	<b>Seat Material</b>	<b>Disc Material</b>	<b>Actuator Material</b>
Ductile iron : GGG40 + Epoxy coating	EPDM	Stainless steel : CF8M	Aluminium

Belven N.V.

Blokhuisstraat 24 | 2800 Mechelen | Belgium

Tel. 015 29 40 70 | Fax. 015 20 14 13 | [info@belven.com](mailto:info@belven.com) | [www.belven.com](http://www.belven.com)

We keep the right to change the mentioned dimensions, weights, values and materials at any time without prior or direct notice.