

Technical Product Sheet



BV10-2366E-PN10/PN16/A150 - Single Acting (AFC) **belven**[®]

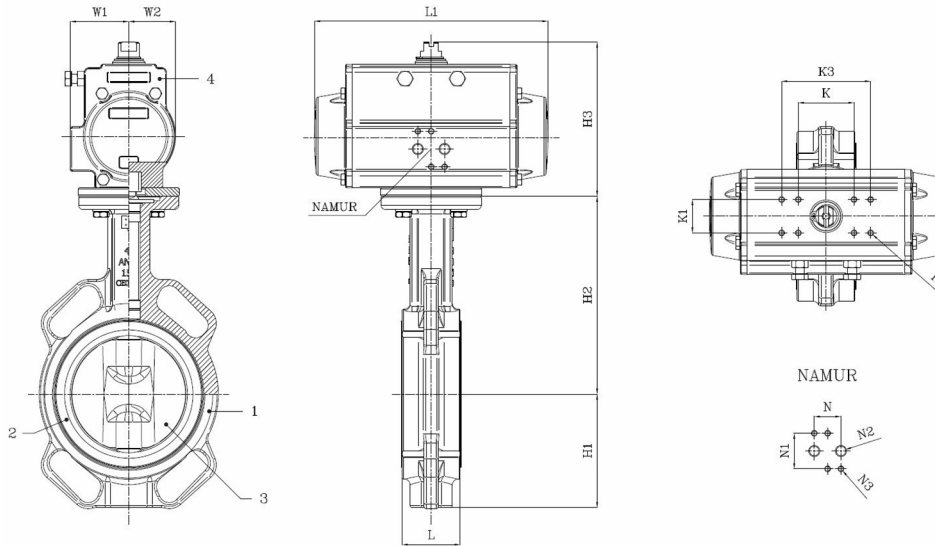
Wafer type butterfly valve, mounting between flanges PN10/PN16/A150, with spring return actuator AFC

Face to Face Standard: EN 558-1 Table 1 series 20

The actuator is selected for 20°C water with a pressure drop of 6 bar with 6 bar supply air pressure and minimum 1 cycle per week, at air pressure failure the springs will put the valve in closed position



Item Number	Belven Ref.
101026ESR20050	BV10-2366E-PN16-DN050 - SR075
101026ESR20065	BV10-2366E-PN16-DN065 - SR075
101026ESR20080	BV10-2366E-PN16-DN080 - SR085
101026ESR20100	BV10-2366E-PN16-DN100 - SR100
101026ESR20125	BV10-2366E-PN16-DN125 - SR115
101026ESR20150	BV10-2366E-PN16-DN150 - SR125
101026ESR20200	BV10-2366E-PN16-DN200 - SR160
101026ESR20250	BV10-2366E-PN16-DN250 - SR180
101026ESR20300	BV10-2366E-PN16-DN300 - SR200



DN/Size	L	H1	H2	H3	L1	W1	W2	K	K3	K1	K2	N	N1	N2	N3	Press.Cl.	Weight(kg)
DN050 (2")	43	71,4	142,7	138,5	210	52,5	42	80		30	M5	24	32	1/8"	M5	PN16	7.00
DN065 (2 1/2")	46	77,8	155,4	138,5	210	52,5	42	80		30	M5	24	32	1/8"	M5	PN16	7.50
DN080 (3")	46	89	161,8	152,4	240,5	58,5	47,5	80		30	M5	24	32	1/8"	M5	PN16	9.20
DN100 (4")	52	102	178	165,2	275	68	55	80		30	M5	24	32	1/4"	M5	PN16	12.60
DN125 (5")	56	123	190,5	192,4	333	73	64	80	130	30	M5	24	32	1/4"	M5	PN16	18.90
DN150 (6")	56	138	205,2	204,4	372	80	68	80	130	30	M5	24	32	1/4"	M5	PN16	23.40
DN200 (8")	60	168	237	256	500	99	87	80	130	30	M5	24	32	1/4"	M5	PN16	47.30
DN250 (10")	68	207	268,3	363	493	115	98	80	130	30	M5	24	32	1/4"	M5	PN16	64.40
DN300 (12")	78	243,5	308,5	408	578,5	109	108	80	130	30	M5	24	32	1/4"	M5	PN16	88.10

Item 1	Item 2	Item 3	Item 4
Body Material	Seat Material	Disc Material	Actuator Material
Cast iron : GG25 + Epoxy coating	EPDM	Stainless steel : CF8M	Extruded aluminium

Belven N.V.

Blokhuisstraat 24 | 2800 Mechelen | Belgium

Tel. 015 29 40 70 | Fax. 015 20 14 13 | info@belven.com | www.belven.com

We keep the right to change the mentioned dimensions, weights, values and materials at any time without prior or direct notice.