

# Technical Product Sheet

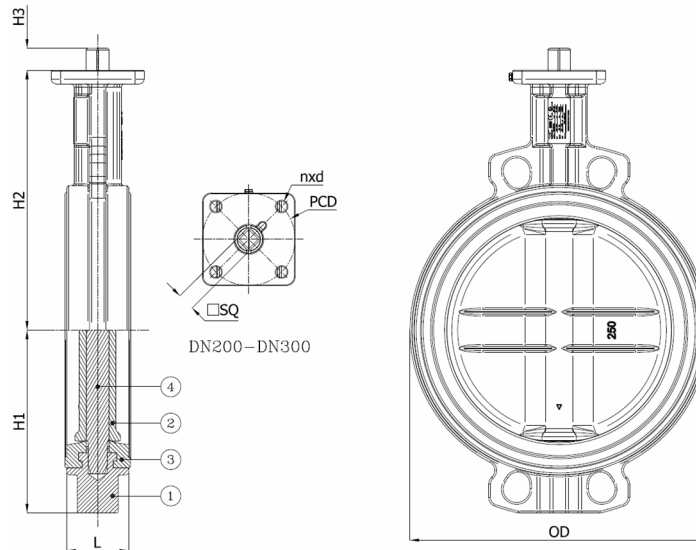
## BV10NPA-2466V-PN10/PN16 - Bare Shaft

Wafer type butterfly valve, mounting between flanges PN10/PN16, bare shaft

Face to Face Standard: EN 558-1 Table 1 series 20



Item Number	Belven Ref.
10HCD126V00200	BV10NPA-2466V-PN10-DN200 - BARE SHAFT
10HCD126V00250	BV10NPA-2466V-PN10-DN250 - BARE SHAFT
10HCD126V00300	BV10NPA-2466V-PN10-DN300 - BARE SHAFT



DN/Size	L	H1	H2	H3	OD	SQ	ISO	PCD	n x d	Press.Cl.	Weight(kg)
DN200 (8")	60	165	240	24	259	17	F10	102	4 x d12	PN10	13.50
DN250 (10")	68	201	286	24	320	19	F10	102	4 x d12	PN10	21.20
DN300 (12")	78	234	309	24	370	22	F10	102	4 x d12	PN10	32.50

Item 1	Item 2	Item 3	Item 4
Body Material	Seat Material	Disc Material	Actuator Material
Ductile iron : GGG40 + Epoxy coating	VITON	Stainless steel : CF8M	SS Stem A182 F6A