

Technical Product Sheet

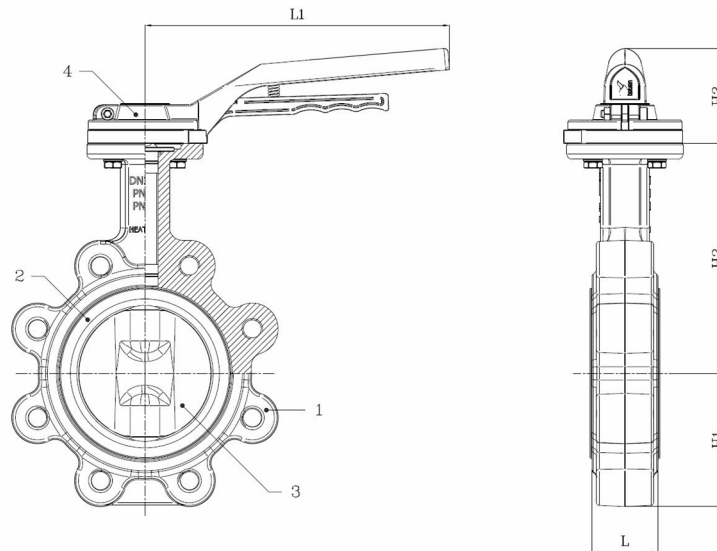
BV12-2425E-PN10/PN16 - Aluminium Lever

Lug type butterfly valve, mounting between flanges PN10/PN16, with aluminium lever

Face to Face Standard: EN 558-1 Table 1 series 20



Item Number	Belven Ref.
121023E1A050	BV12-2425E-PN16-DN050 - ALU LEVER
121023E1A065	BV12-2425E-PN16-DN065 - ALU LEVER
121023E1A080	BV12-2425E-PN16-DN080 - ALU LEVER
121023E1A100	BV12-2425E-PN16-DN100 - ALU LEVER
121023E1A125	BV12-2425E-PN16-DN125 - ALU LEVER
121023E1A150	BV12-2425E-PN16-DN150 - ALU LEVER



DN/Size	L	H1	H2	H3	L1	Press.Cl.	Weight(kg)
DN050 (2")	43	71,4	142,7	65	210	PN16	3.70
DN065 (2 1/2")	46	77,8	155,4	65	210	PN16	4.30
DN080 (3")	46	89	161,8	65	210	PN16	5.00
DN100 (4")	52	102	178	65	210	PN16	7.50
DN125 (5")	56	123	190,5	65	210	PN16	9.50
DN150 (6")	56	138	205,2	65	210	PN16	11.20

Item 1	Item 2	Item 3	Item 4
Body Material	Seat Material	Disc Material	Actuator Material
Ductile iron : GGG40 + Epoxy coating	EPDM	Nickel plated : GGG40 + Ni	Aluminium

Belven N.V.

Blokhuisstraat 24 | 2800 Mechelen | Belgium

Tel. 015 29 40 70 | Fax. 015 20 14 13 | info@belven.com | www.belven.com

We keep the right to change the mentioned dimensions, weights, values and materials at any time without prior or direct notice.