

Technical Product Sheet



BV3M3-6666T-BW - Single Acting (AFC)

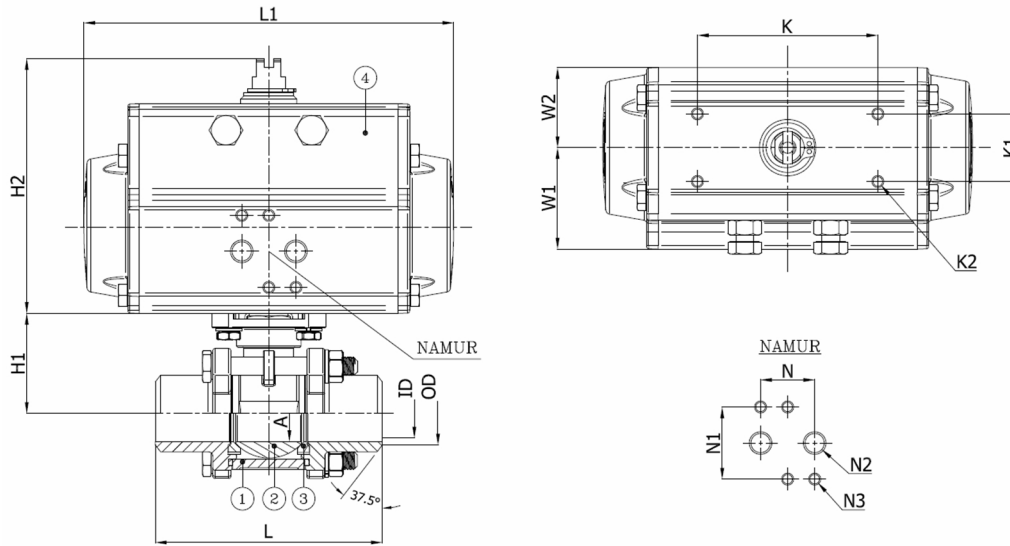
Ball valve with 3-pce body, full bore, welding ends BW ASME B16.25 Sched.40, with spring return actuator AFC

Face to Face Standard: DIN 3202-2 S13

The actuator is selected for 20°C water with a pressure drop of 6 bar with 6 bar supply air pressure and minimum 1 cycle per week, at air pressure failure the springs will put the valve in closed position



Item Number	Belven Ref.
03M36877TSR2008	BV3M3-6666T-BW - 1/4" - SR052
03M36877TSR2010	BV3M3-6666T-BW - 3/8" - SR052
03M36877TSR2015	BV3M3-6666T-BW - 1/2" - SR052
03M36877TSR2020	BV3M3-6666T-BW - 3/4" - SR063
03M36877TSR2025	BV3M3-6666T-BW - 1" - SR063
03M36877TSR2032	BV3M3-6666T-BW - 1 1/4" - SR075
03M36877TSR2040	BV3M3-6666T-BW - 1 1/2" - SR075
03M36877TSR2050	BV3M3-6666T-BW - 2" - SR085



DN/Size	L	H1	H2	A	L1	ID	OD	W1	W2	K	K1	K2	N	N1	N2	N3	Press.Cl.	Weight(kg)
DN008 (1/4")	55	36	101,5	11,6	141	11,6	18,1	41	30	80	30	M5	24	32	1/8"	M5	1000 WOG	1.90
DN010 (3/8")	60	36	101,5	12,8	141	12,8	18,1	41	30	80	30	M5	24	32	1/8"	M5	1000 WOG	1.90
DN015 (1/2")	75	38	101,5	15	141	15	21,7	41	30	80	30	M5	24	32	1/8"	M5	1000 WOG	1.95
DN020 (3/4")	90	41,7	113	20	164	20	27,2	45	35,5	80	30	M5	24	32	1/8"	M5	1000 WOG	3.02
DN025 (1")	100	44,4	113	25	164	25	34	45	35,5	80	30	M5	24	32	1/8"	M5	1000 WOG	3.28
DN032 (1 1/4")	110	52,8	131	32	210	32	42,7	52,5	42	80	30	M5	24	32	1/8"	M5	1000 WOG	5.30
DN040 (1 1/2")	125	58,5	131	38	210	38	48,6	52,5	42	80	30	M5	24	32	1/8"	M5	1000 WOG	5.90
DN050 (2")	150	66	145	50	240,5	50	60,5	58,5	47,5	80	30	M5	24	32	1/8"	M5	1000 WOG	8.50

Item 1	Item 2	Item 3	Item 4
Body Material	Ball Material	Seat Material	Actuator Material
Stainless steel : A351 CF8M	Stainless steel : A351 CF8M	PTFE	Extruded aluminium

Belven N.V.

Blokhuisstraat 24 | 2800 Mechelen | Belgium

Tel. 015 29 40 70 | Fax. 015 20 14 13 | info@belven.com | www.belven.com

We keep the right to change the mentioned dimensions, weights, values and materials at any time without prior or direct notice.