

Technical Product Sheet

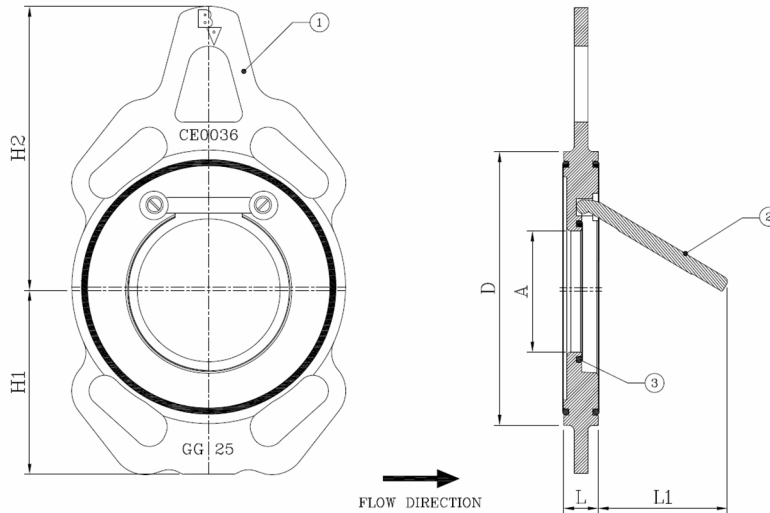
BV38-2345E-PN10/PN16

Wafer type swing check valve, mounting between flanges PN10/16

Face to Face Standard: Factory standard



Item Number	Belven Ref.
383035E0050	BV38-2345E-PN16-DN050
383035E0065	BV38-2345E-PN16-DN065
383035E0080	BV38-2345E-PN16-DN080
383035E0100	BV38-2345E-PN16-DN100
383035E0125	BV38-2345E-PN16-DN125
383035E0150	BV38-2345E-PN16-DN150
383035E0200	BV38-2345E-PN16-DN200
383035E0250	BV38-2345E-PN16-DN250
383035E0300	BV38-2345E-PN16-DN300



DN/Size	L	H1	D	A	L1	H2	Press.Cl.	Weight(kg)
DN050 (2")	18	65	99	32	44	130	PN16	1.20
DN065 (2 1/2")	20	72	118	40	52	140	PN16	1.80
DN080 (3")	20	94	132	54	62	150	PN16	2.10
DN100 (4")	20	108	158	70	78	162	PN16	2.90
DN125 (5")	22	120	184	92	95	175	PN16	3.80
DN150 (6")	22	135	215	112	114	188	PN16	4.90
DN200 (8")	22	165	265	154	153	220	PN16	7.50
DN250 (10")	29	202	319	200	195	250	PN16	12.70
DN300 (12")	38	325	370	240	229	288	PN16	21.20

Item 1	Item 2	Item 3
Body Material	Disc Material	Seat Material
Cast iron : GG25 + Epoxy coating	Carbon steel	EPDM

Belven N.V.

Blokhuisstraat 24 | 2800 Mechelen | Belgium
 Tel. 015 29 40 70 | Fax. 015 20 14 13 | info@belven.com | www.belven.com

We keep the right to change the mentioned dimensions, weights, values and materials at any time without prior or direct notice.