

Technical Product Sheet

BV12NPA-2466E-PN10 - Electric 110/240V AC

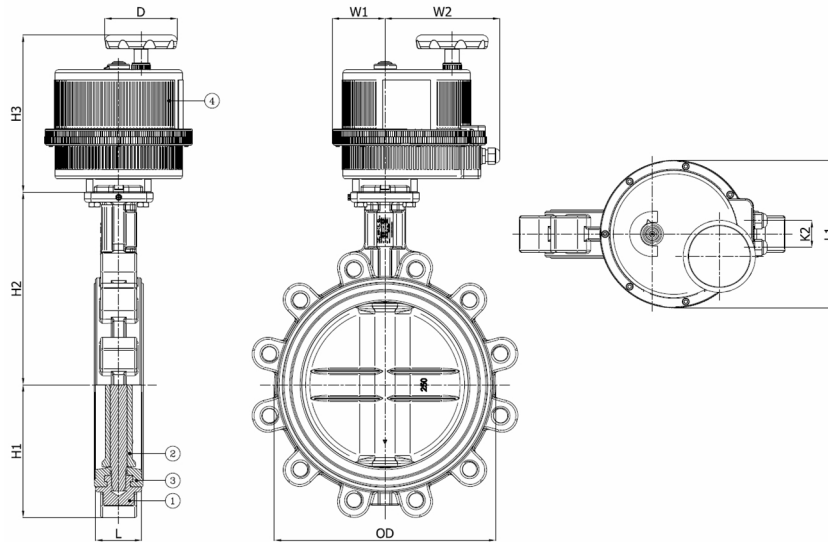
Lug type butterfly valve, mounting between flanges PN10, with electric actuator

Face to Face Standard: EN 558-1 Table 1 series 20

The actuator is selected for 20°C water with a pressure drop of 6 bar and minimum 1 cycle per week - 110/240V AC



Item Number	Belven Ref.
12HCD126EXVV0200	BV12NPA-2466E-PN10-DN200 - VB110 110/240VAC
12HCD126EXVV0250	BV12NPA-2466E-PN10-DN250 - VB270 110/240VAC
12HCD126EXVV0300	BV12NPA-2466E-PN10-DN300 - VB270 110/240VAC



DN/Size	L	H1	H2	H3	OD	L1	W2	W1	D	K2	Press.Cl.	Weight(kg)
DN200 (8")	60	165	240	237,1	259	211	153	84	110	40	PN10	22.60
DN250 (10")	68	201	286	233,5	320	222	170	77	110	40	PN10	32.50
DN300 (12")	78	234	309	233,5	370	222	170	77	110	40	PN10	49.50

Item 1	Item 2	Item 3	Item 4
Body Material	Seat Material	Disc Material	Actuator Material
Ductile iron : GGG40 + Epoxy coating	EPDM	Stainless steel : CF8M	Self-extinguishing polymer