

Technical Product Sheet

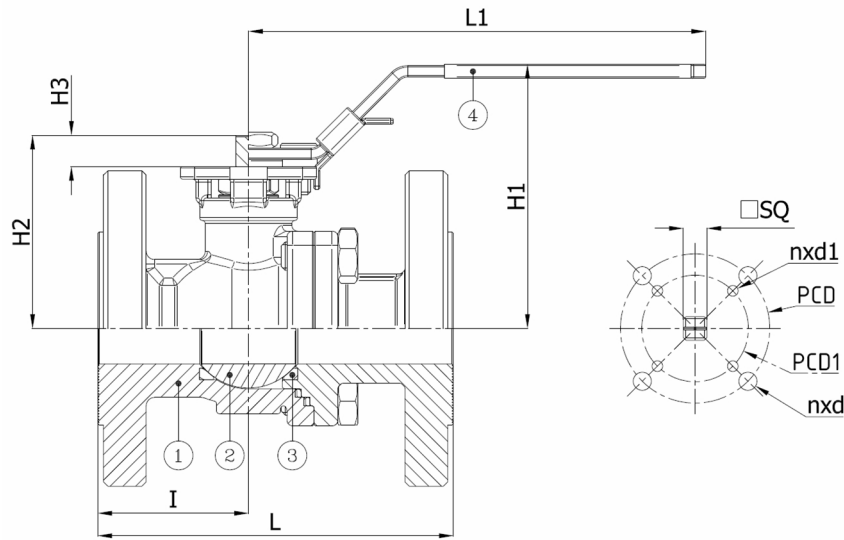
BV4S-4466T-PN10/PN16 - Lever

Ball valve, full bore, split body, flanged PN10/PN16, with lever

Face to Face Standard: EN 558-1 series 27



Item Number	Belven Ref.
04S3D57F1065	BV4S-4466T-PN16-DN065 - LEVER
04S3D57F1080	BV4S-4466T-PN16-DN080 - LEVER
04S3D57F1100	BV4S-4466T-PN16-DN100 - LEVER



DN/Size	L	H1	H2	H3	I	L1	SQ	ISO	PCD	n x d1	PCD1	n x d	Press.Cl.	Weight(kg)
DN065 (2 1/2")	170	154	128,5	17,5	63	321	14	F07	70			4 x d8,5	PN16	13.20
DN080 (3")	180	163	137,5	17,5	75,5	321	14	F07/F10	102	4 x M10	70	4 x d11	PN16	17.20
DN100 (4")	190	177	153,5	19	80	380	17	F07/F10	102	4 x M10	70	4 x d11	PN16	23.40

Item 1	Item 2	Item 3	Item 4
Body Material	Ball Material	Seat Material	Actuator Material
Carbon steel : 1.0619 (WCB)	Stainless steel : A182-F304/A351-CF8	PTFE	Stainless steel