

Technical Product Sheet

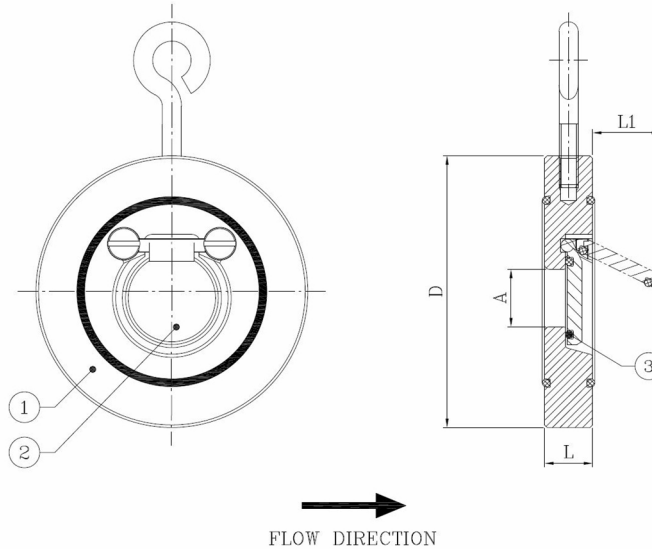
BV38-4545E-PN10/PN16

Wafer type swing check valve, mounting between flanges PN10/16

Face to Face Standard: Factory standard



| Item Number | Belven Ref. |
|-------------|-----------------------|
| 383055N0032 | BV38-4545E-PN16-DN032 |
| 383055N0040 | BV38-4545E-PN16-DN040 |
| 383055N0050 | BV38-4545E-PN16-DN050 |
| 383055N0065 | BV38-4545E-PN16-DN065 |
| 383055N0080 | BV38-4545E-PN16-DN080 |
| 383055N0100 | BV38-4545E-PN16-DN100 |
| 383055N0125 | BV38-4545E-PN16-DN125 |
| 383055N0150 | BV38-4545E-PN16-DN150 |
| 383055N0200 | BV38-4545E-PN16-DN200 |



| DN/Size | L | D | A | L1 | Press.Cl. | Weight(kg) |
|----------------|----|-----|-----|-----|-----------|------------|
| DN032 (1 1/4") | 15 | 85 | 18 | 22 | PN16 | 0.60 |
| DN040 (1 1/2") | 16 | 95 | 22 | 25 | PN16 | 0.80 |
| DN050 (2") | 14 | 109 | 32 | 37 | PN16 | 0.90 |
| DN065 (2 1/2") | 14 | 129 | 40 | 50 | PN16 | 1.20 |
| DN080 (3") | 14 | 144 | 54 | 61 | PN16 | 1.50 |
| DN100 (4") | 18 | 164 | 70 | 77 | PN16 | 2.40 |
| DN125 (5") | 18 | 195 | 92 | 98 | PN16 | 3.30 |
| DN150 (6") | 20 | 220 | 112 | 120 | PN16 | 4.60 |
| DN200 (8") | 22 | 275 | 154 | 160 | PN16 | 7.70 |

| Item 1 | Item 2 | Item 3 |
|---|---|---------------|
| Body Material | Disc Material | Seat Material |
| Carbon steel : 1.0619 (WCB) zinc plated | Carbon steel : 1.0619 (WCB) zinc plated | EPDM |

Belven N.V.

Blokhuisstraat 24 | 2800 Mechelen | Belgium
 Tel. 015 29 40 70 | Fax. 015 20 14 13 | info@belven.com | www.belven.com

We keep the right to change the mentioned dimensions, weights, values and materials at any time without prior or direct notice.