

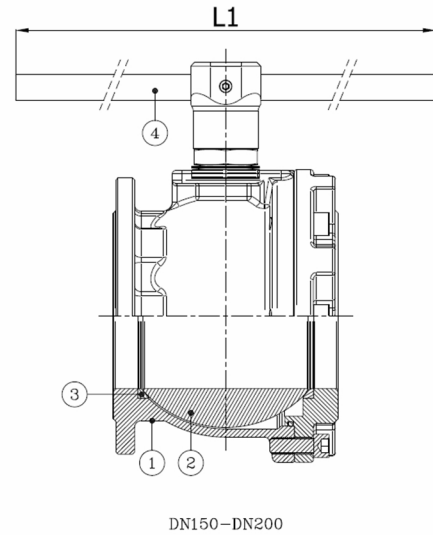
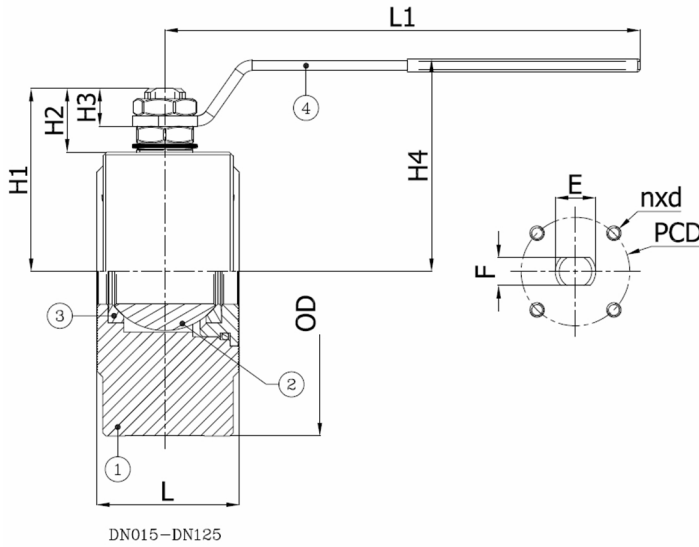
# Technical Product Sheet

## BV8-2463T-PN16

Ball valve, full bore, wafer type body, to be mounted between flanges PN16, with lever  
Face to Face Standard: Factory standard



Item Number	Belven Ref.
083056T1015	BV8-2363T-PN16-DN015
083056T1020	BV8-2363T-PN16-DN020
083056T1025	BV8-2363T-PN16-DN025
083056T1032	BV8-2363T-PN16-DN032
083056T1040	BV8-2363T-PN16-DN040
083056T1050	BV8-2363T-PN16-DN050



DN/Size	L	H1	H2	H3	H4	L1	OD	E	F	ISO	PCD	n x d	Press.Cl.	Weight(kg)
DN015 (1/2")	35	47	15,5	9	65	131	90	10	7	F03	32	4 x M5	PN16	1.30
DN020 (3/4")	40	51,5	15,5	9	69	131	100	10	7	F03	32	4 x M5	PN16	1.90
DN025 (1")	46	61	19,5	11	80	174	110	12	8	F04	42	4 x M5	PN16	2.70
DN032 (1 1/4")	54	65,5	16,5	11	84	174	130	12	8	F04	42	4 x M5	PN16	4.20
DN040 (1 1/2")	63,5	78	24,5	13	102	250	140	16	10	F05	50	4 x M6	PN16	5.90
DN050 (2")	82	87	25	13	111	250	150	16	10	F05	50	4 x M6	PN16	8.70

Item 1	Item 2	Item 3	Item 4
Body Material	Ball Material	Seat Material	Actuator Material
Carbon steel : A216 WCB	Stainless steel : A182-F304 / A351-CF8	PTFE	Carbon steel

Belven N.V.

Blokhuisstraat 24 | 2800 Mechelen | Belgium  
Tel. 015 29 40 70 | Fax. 015 20 14 13 | info@belven.com | www.belven.com

We keep the right to change the mentioned dimensions, weights, values and materials at any time without prior or direct notice.