

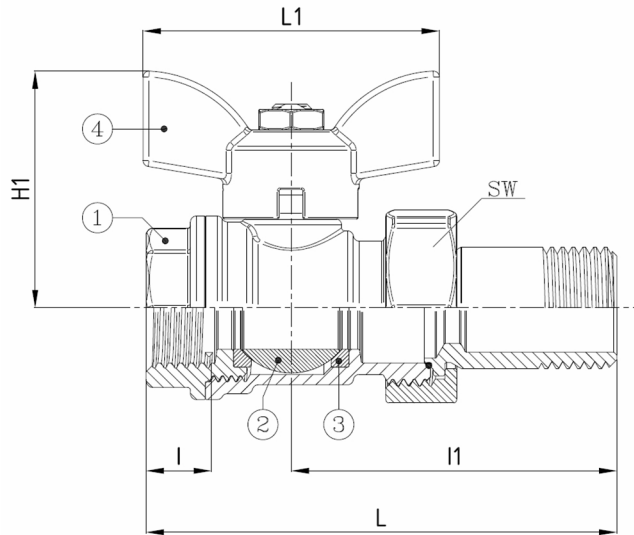
Technical Product Sheet

BV2-4504T-BSP/MUT

Brass 2-way ball valve, full bore, Female ISO228/1-G/Male Union Tail, with T-lever
Face to Face Standard: Factory standard



Item Number	Belven Ref.
0241U11T4015	BV2-4504T-BSP/MUT - 1/2" - T-LEVER
0241U11T4020	BV2-4504T-BSP/MUT - 3/4" - T-LEVER
0241U11T4025	BV2-4504T-BSP/MUT - 1" - T-LEVER



DN/Size	L	H1	I	I1	L1	SW	Press.Cl.	Weight(kg)
DN015 (1/2")	73,5	41	12	49,5	50	30	PN40	0.22
DN020 (3/4")	83,5	51	12	56	63,5	37	PN40	0.35
DN025 (1")	99	53,5	14,5	66,5	63,5	47	PN40	0.60

Item 1	Item 2	Item 3	Item 4
Body Material	Ball Material	Seat Material	Actuator Material
Brass : CW617N UNI EN 12165	Brass : CW617N UNI EN 12165	PTFE	Aluminium alloy EN AC-46100