

# Technical Product Sheet

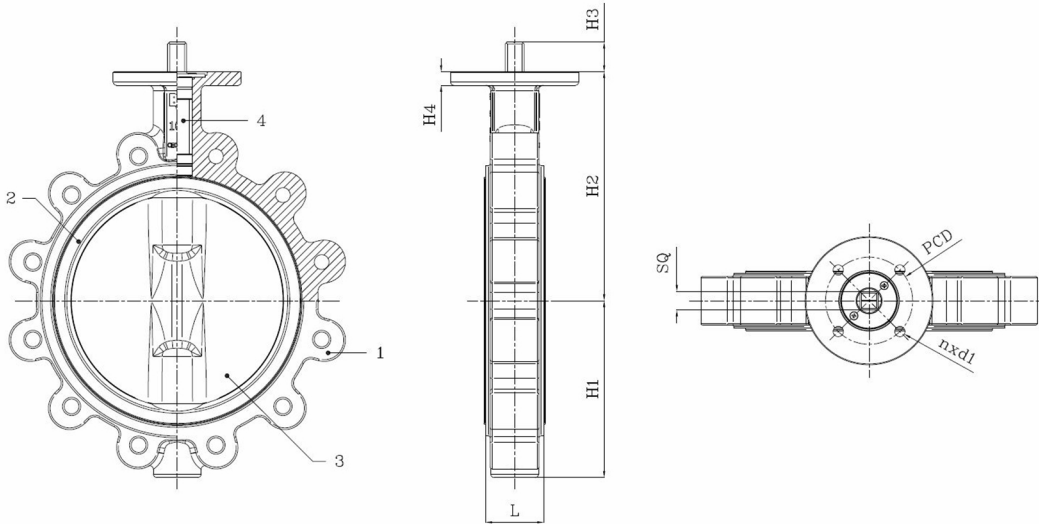
## BV12-2425B-PN10 - Bare Shaft

Lug type butterfly valve, mounting between flanges PN10, bare shaft

Face to Face Standard: EN 558-1 Table 1 series 20



| Item Number | Belven Ref.                        |
|-------------|------------------------------------|
| 121023B0200 | BV12-2425B-PN10-DN200 - BARE SHAFT |
| 121023B0250 | BV12-2425B-PN10-DN250 - BARE SHAFT |
| 121023B0300 | BV12-2425B-PN10-DN300 - BARE SHAFT |



| DN/Size     | L  | H1    | H2    | H3   | H4 | SQ | ISO | PCD | n x d1  | Press.Cl. | Weight(kg) |
|-------------|----|-------|-------|------|----|----|-----|-----|---------|-----------|------------|
| DN200 (8")  | 60 | 168   | 237   | 34,5 | 16 | 17 | F10 | 102 | 4 x d12 | PN10      | 16.10      |
| DN250 (10") | 68 | 207   | 268,3 | 34,5 | 16 | 22 | F10 | 102 | 4 x d12 | PN10      | 29.70      |
| DN300 (12") | 78 | 243,5 | 308,5 | 34,5 | 16 | 27 | F12 | 125 | 4 x d14 | PN10      | 44.70      |

| Item 1                               | Item 2               | Item 3                     | Item 4                   |
|--------------------------------------|----------------------|----------------------------|--------------------------|
| <b>Body Material</b>                 | <b>Seat Material</b> | <b>Disc Material</b>       | <b>Actuator Material</b> |
| Ductile iron : GGG40 + Epoxy coating | NBR                  | Nickel plated : GGG40 + Ni | SS Stem AISI 416         |