

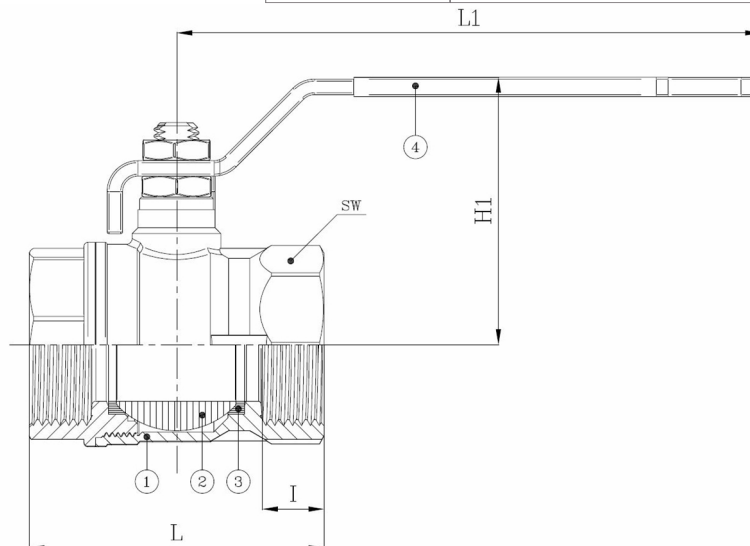
Technical Product Sheet

BV2-340-BSP (F/F)

Brass 2-way ball valve, full bore, threaded F/F ISO228/1-G, with lever
Face to Face Standard: Factory standard



| Item Number | Belven Ref. |
|-------------|-----------------------------------|
| 024111T1008 | BV2-340-BSP(F/F) - 1/4" - LEVER |
| 024111T1010 | BV2-340-BSP(F/F) - 3/8" - LEVER |
| 024111T1015 | BV2-340-BSP(F/F) - 1/2" - LEVER |
| 024111T1020 | BV2-340-BSP(F/F) - 3/4" - LEVER |
| 024111T1025 | BV2-340-BSP(F/F) - 1" - LEVER |
| 024111T1032 | BV2-340-BSP(F/F) - 1 1/4" - LEVER |
| 024111T1040 | BV2-340-BSP(F/F) - 1 1/2" - LEVER |
| 024111T1050 | BV2-340-BSP(F/F) - 2" - LEVER |
| 024111T1065 | BV2-340-BSP(F/F) - 2 1/2" - LEVER |
| 024111T1080 | BV2-340-BSP(F/F) - 3" - LEVER |
| 024111T1100 | BV2-340-BSP(F/F) - 4" - LEVER |



| DN/Size | L | H1 | I | L1 | SW | Press.Cl. | Weight(kg) |
|----------------|------|------|------|-----|-----|-----------|------------|
| DN008 (1/4") | 51,5 | 42 | 11 | 96 | 20 | PN64 | 0.15 |
| DN010 (3/8") | 51,5 | 42 | 11,4 | 96 | 20 | PN64 | 0.14 |
| DN015 (1/2") | 55 | 47 | 13,5 | 95 | 25 | PN64 | 0.20 |
| DN020 (3/4") | 57,5 | 59 | 12,5 | 120 | 31 | PN50 | 0.32 |
| DN025 (1") | 69,5 | 63 | 15 | 120 | 38 | PN50 | 0.49 |
| DN032 (1 1/4") | 81,5 | 76,5 | 17 | 150 | 48 | PN50 | 0.80 |
| DN040 (1 1/2") | 95 | 82,5 | 18 | 150 | 54 | PN40 | 1.18 |
| DN050 (2") | 113 | 95 | 22 | 159 | 67 | PN40 | 1.80 |
| DN065 (2 1/2") | 152 | 123 | 30,2 | 206 | 90 | PN25 | 3.71 |
| DN080 (3") | 177 | 133 | 33,3 | 206 | 105 | PN25 | 5.90 |
| DN100 (4") | 214 | 165 | 39,3 | 261 | 130 | PN25 | 10.00 |

| Item 1 | Item 2 | Item 3 | Item 4 |
|-----------------------------|-----------------------------|---------------|-------------------|
| Body Material | Ball Material | Seat Material | Actuator Material |
| Brass : CW617N UNI EN 12165 | Brass : CW617N UNI EN 12165 | PTFE | Carbon steel |

Belven N.V.

Blokhuisstraat 24 | 2800 Mechelen | Belgium
Tel. 015 29 40 70 | Fax. 015 20 14 13 | info@belven.com | www.belven.com

We keep the right to change the mentioned dimensions, weights, values and materials at any time without prior or direct notice.