

Technical Product Sheet



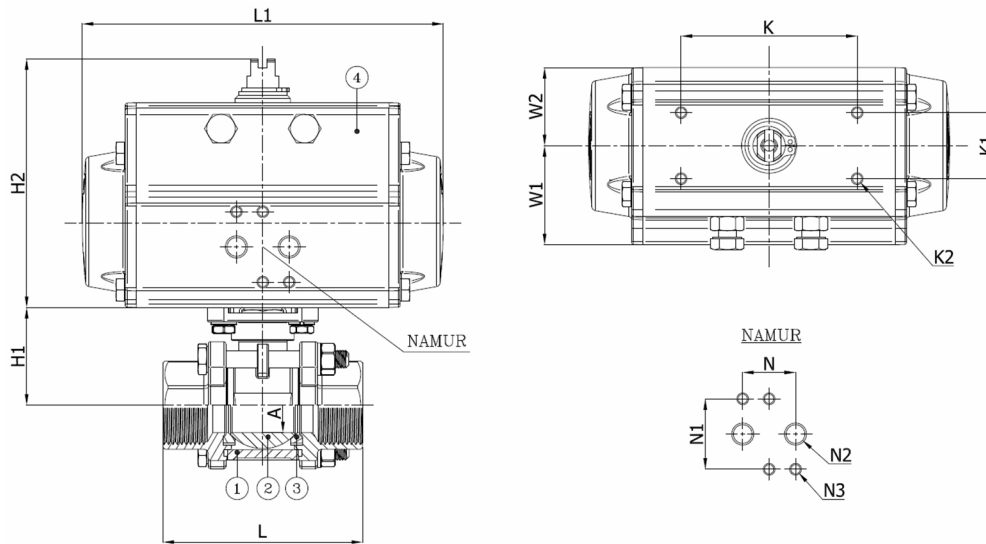
BV3M3-6666T-NPT - Double Acting

Ball valve with 3-pce body, full bore, NPT threaded F/F ANSI B2.1, with double acting actuator
Face to Face Standard: DIN 3202-4 M3

The actuator is selected for 20°C water with a pressure drop of 6 bar with 6 bar supply air pressure and minimum 1 cycle per week



| Item Number | Belven Ref. |
|-----------------|----------------------------------|
| 03M36377TDA2008 | BV3M3-6666T-NPT - 1/4" - DA032 |
| 03M36377TDA2010 | BV3M3-6666T-NPT - 3/8" - DA032 |
| 03M36377TDA2015 | BV3M3-6666T-NPT - 1/2" - DA052 |
| 03M36377TDA2020 | BV3M3-6666T-NPT - 3/4" - DA052 |
| 03M36377TDA2025 | BV3M3-6666T-NPT - 1" - DA052 |
| 03M36377TDA2032 | BV3M3-6666T-NPT - 1 1/4" - DA063 |
| 03M36377TDA2040 | BV3M3-6666T-NPT - 1 1/2" - DA063 |
| 03M36377TDA2050 | BV3M3-6666T-NPT - 2" - DA075 |



| DN/Size | L | H1 | H2 | A | L1 | W1 | W2 | K | K1 | K2 | N | N1 | N2 | N3 | Press.Cl. | Weight(kg) |
|----------------|-----|------|-------|------|-----|------|------|----|----|----|----|----|------|----|-----------|------------|
| DN008 (1/4") | 55 | 36 | 65 | 11,6 | 110 | 37,5 | 25 | 50 | 30 | M5 | 24 | 32 | 1/8" | M5 | 1000 WOG | 1.10 |
| DN010 (3/8") | 60 | 36 | 65 | 12,8 | 110 | 37,5 | 25 | 50 | 30 | M5 | 24 | 32 | 1/8" | M5 | 1000 WOG | 1.10 |
| DN015 (1/2") | 75 | 38 | 101,5 | 15 | 141 | 41 | 30 | 80 | 30 | M5 | 24 | 32 | 1/8" | M5 | 1000 WOG | 1.70 |
| DN020 (3/4") | 80 | 41,7 | 101,5 | 20 | 141 | 41 | 30 | 80 | 30 | M5 | 24 | 32 | 1/8" | M5 | 1000 WOG | 2.10 |
| DN025 (1") | 90 | 44,4 | 101,5 | 25 | 141 | 41 | 30 | 80 | 30 | M5 | 24 | 32 | 1/8" | M5 | 1000 WOG | 2.20 |
| DN032 (1 1/4") | 110 | 52,8 | 113 | 32 | 164 | 45 | 35,5 | 80 | 30 | M5 | 24 | 32 | 1/8" | M5 | 1000 WOG | 3.50 |
| DN040 (1 1/2") | 120 | 58,5 | 113 | 38 | 164 | 45 | 35,5 | 80 | 30 | M5 | 24 | 32 | 1/8" | M5 | 1000 WOG | 4.20 |
| DN050 (2") | 140 | 66 | 131 | 50 | 210 | 52,5 | 42 | 80 | 30 | M5 | 24 | 32 | 1/8" | M5 | 1000 WOG | 6.50 |

| Item 1 | Item 2 | Item 3 | Item 4 |
|-----------------------------|-----------------------------|---------------|--------------------|
| Body Material | Ball Material | Seat Material | Actuator Material |
| Stainless steel : A351 CF8M | Stainless steel : A351 CF8M | PTFE | Extruded aluminium |

Belven N.V.

Blokhuisstraat 24 | 2800 Mechelen | Belgium
Tel. 015 29 40 70 | Fax. 015 20 14 13 | info@belven.com | www.belven.com

We keep the right to change the mentioned dimensions, weights, values and materials at any time without prior or direct notice.