

Technical Product Sheet

BV3M3-2466T-SW - Electric 110/240V AC

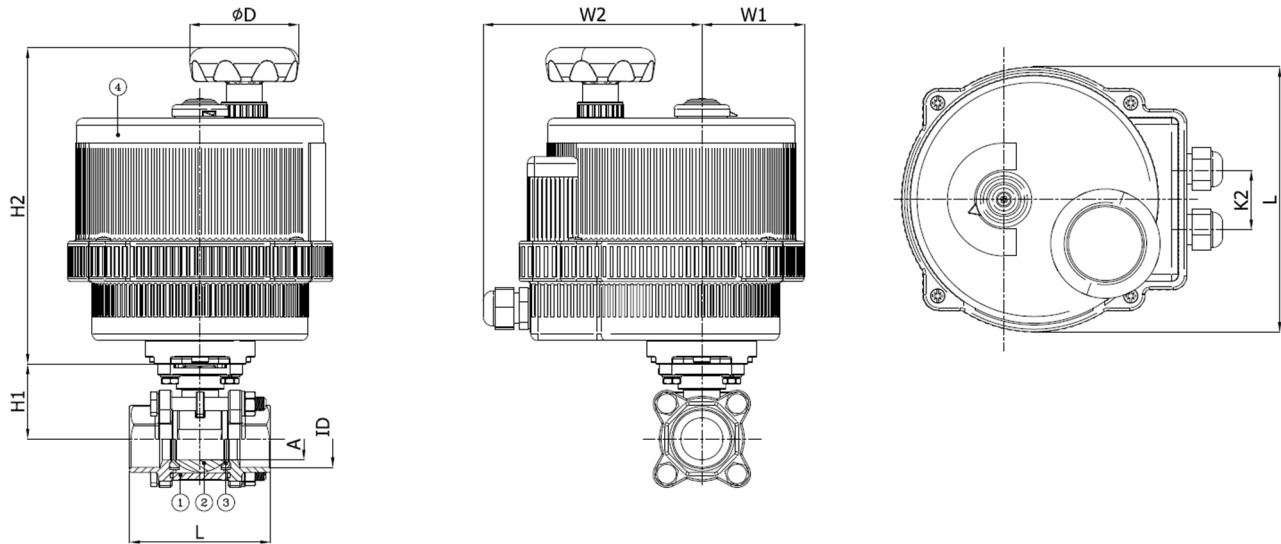
Ball valve with 3-pce body, full bore, welding sockets SW DIN 3239-2, with electric actuator

Face to Face Standard: DIN 3202-4 M3

The actuator is selected for 20°C water with a pressure drop of 6 bar and minimum 1 cycle per week - 110/240V AC



Item Number	Belven Ref.
03M36956TEL008	BV3M3-2466T-SW - 1/4" - VB015 110/240VAC
03M36956TEL010	BV3M3-2466T-SW - 3/8" - VB015 110/240VAC
03M36956TEL015	BV3M3-2466T-SW - 1/2" - VB015 110/240VAC
03M36956TEL020	BV3M3-2466T-SW - 3/4" - VB015 110/240VAC
03M36956TEL025	BV3M3-2466T-SW - 1" - VB030 110/240VAC
03M36956TEL032	BV3M3-2466T-SW - 1 1/4" - VB060 110/240VAC
03M36956TEL040	BV3M3-2466T-SW - 1 1/2" - VB060 110/240VAC
03M36956TEL050	BV3M3-2466T-SW - 2" - VB060 110/240VAC



DN/Size	L	H1	H2	A	L1	ID	W1	W2	D	K2	Press.Cl.	Weight(kg)
DN008 (1/4")	55	36	141,5	11,6	123	14,1	42,5	120,5	68	32	1000 WOG	1.87
DN010 (3/8")	60	36	141,5	12,8	123	17,6	42,5	120,5	68	32	1000 WOG	1.87
DN015 (1/2")	75	38	141,5	15	123	21,7	42,5	120,5	68	32	1000 WOG	2.01
DN020 (3/4")	80	41,7	141,5	20	123	27,2	42,5	120,5	68	32	1000 WOG	2.27
DN025 (1")	90	44,4	188	25	157	33,9	60,5	129,5	65	36	1000 WOG	3.38
DN032 (1 1/4")	110	52,8	215	32	185	42,6	67,5	146,5	65	36	1000 WOG	5.10
DN040 (1 1/2")	120	58,5	215	38	185	48,7	67,5	146,5	65	36	1000 WOG	5.76
DN050 (2")	140	66	215	50	185	61,1	67,5	146,5	65	36	1000 WOG	6.96

Item 1	Item 2	Item 3	Item 4
Body Material	Ball Material	Seat Material	Actuator Material
Carbon steel : A216 WCB	Stainless steel : A351 CF8	PTFE	Extruded aluminium

Belven N.V.

Blokhuisstraat 24 | 2800 Mechelen | Belgium
 Tel. 015 29 40 70 | Fax. 015 20 14 13 | info@belven.com | www.belven.com

We keep the right to change the mentioned dimensions, weights, values and materials at any time without prior or direct notice.