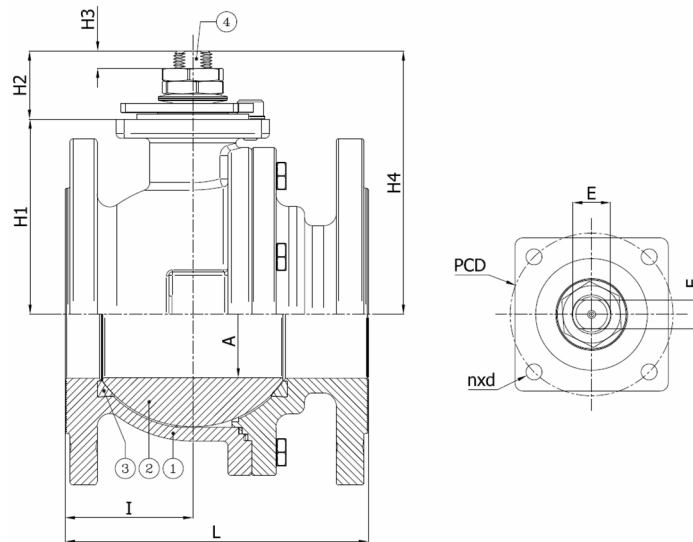


## BV4-4466T-PN10/PN16/PN40 - Vrije As

Kogelkraan, volle doorlaat, tweedelig huis, geflensd PN10/PN16/PN40, vrije as  
Norm Bouwlengte: EN 558-1 reeks 27



Artikelnummer	Belven Ref.
043D57F0015	BV4-4466T-PN40-DN015 - BARE SHAFT
043D57F0020	BV4-4466T-PN40-DN020 - BARE SHAFT
043D57F0025	BV4-4466T-PN40-DN025 - BARE SHAFT
043D57F0032	BV4-4466T-PN40-DN032 - BARE SHAFT
043D57F0040	BV4-4466T-PN40-DN040 - BARE SHAFT
043D57F0050	BV4-4466T-PN40-DN050 - BARE SHAFT



DN/Inch	L	H1	H2	H3	H4	A	I	ISO	PCD	n x d	E	F	Drukkl.	Gewicht(kg)
DN015 (1/2")	115	33	19	8	52	15	49	F04	42	4 x M5	M10	7	PN40	2,40
DN020 (3/4")	120	37	19	8	56	19	51	F04	42	4 x M5	M10	7	PN40	3,10
DN025 (1")	125	45	27,5	13	72,5	25	54	F05	50	4 x M6	M12	8	PN40	4,00
DN032 (1 1/4")	130	48,5	27,5	13	76	30	55	F05	50	4 x M6	M12	8	PN40	5,60
DN040 (1 1/2")	140	77	30	10	107	38	51,5	F05	50	4 x M6	M16	10	PN40	7,50
DN050 (2")	150	83,5	38,5	18	122	50,2	57,5	F07	70	4 x M8	M20	14	PN40	10,50

Item 1	Item 2	Item 3	Item 4
Materiaal Huis	Materiaal Kogel	Materiaal Zitting	Materiaal Bediening
Koolstofstaal : 1.0619 (WCB)	Roestvrijstaal : A182-F304 / A351-CF8	PTFE	RVS Spindel A182-F304