

Technical Product Sheet



BV2-2500-BSP (F/F) - Electrical 230V AC ON/OFF

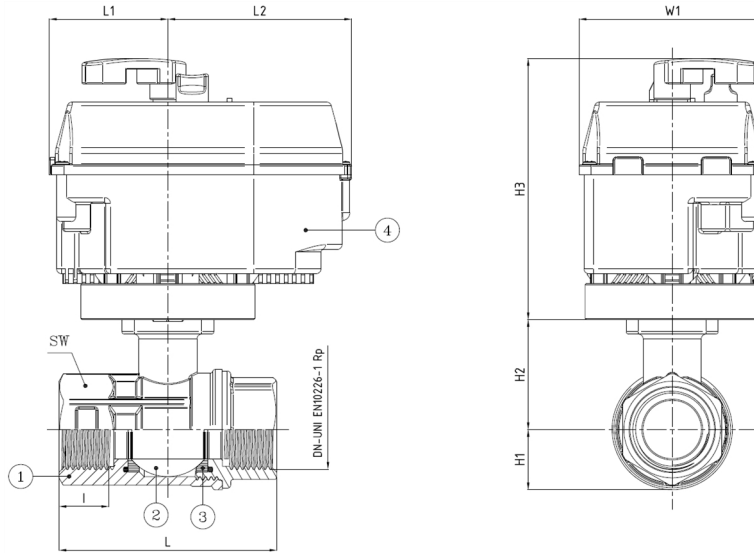
Brass 2-way ball valve, full bore, threaded F/F ISO 7/1-Rp, with with electric actuator 230V AC 3P-S2

Face to Face Standard: Factory standard

The actuator is selected for 20°C water with a pressure drop of 6 bar and minimum 1 cycle per week, IP44, 3-wire supply, 3-point operation, run time 90°: 73 sec, with 2 potential-free switches "S2", 1 m cable



Item Number	Belven Ref.
025111TXVB008-230VAC	BV2-2500-BSP - 1/4" - XVB 3P 230VAC + S2
025111TXVB010-230VAC	BV2-2500-BSP - 3/8" - XVB 3P 230VAC + S2
025111TXVB015-230VAC	BV2-2500-BSP - 1/2" - XVB 3P 230VAC + S2
025111TXVB020-230VAC	BV2-2500-BSP - 3/4" - XVB 3P 230VAC + S2
025111TXVB025-230VAC	BV2-2500-BSP - 1" - XVB 3P 230VAC + S2
025111TXVB032-230VAC	BV2-2500-BSP - 1 1/4" - XVB 3P 230VAC + S2



DN/Size	L	H1	H2	H3	I	L1	W1	Kvs	SW	L2	Press.Cl.	Weight(kg)
DN008 (1/4")	67	16,8	32,5	107,5	11	48	78	5,4	27	77	PN40	2.10
DN010 (3/8")	67	16,8	32,5	107,5	11,4	48	78	6	27	77	PN40	2.10
DN015 (1/2")	67	16,8	32,5	107,5	15	48	78	16,3	27	77	PN40	2.10
DN020 (3/4")	76	20	34,5	107,5	16,3	48	78	29,5	32	77	PN40	2.20
DN025 (1")	90	24,5	45,5	107,5	19,1	48	78	43	41	77	PN40	2.40
DN032 (1 1/4")	102	29,3	49	107,5	21,4	48	78	89	50	77	PN40	2.60

Item 1	Item 2	Item 3	Item 4
Body Material	Ball Material	Seat Material	Actuator Material
Brass : CW617N UNI EN 12420	Brass : CW617N UNI EN 12166	PTFE	PA Ultramid

Belven N.V.

Blokhuisstraat 24 | 2800 Mechelen | Belgium

Tel. 015 29 40 70 | Fax. 015 20 14 13 | info@belven.com | www.belven.com

We keep the right to change the mentioned dimensions, weights, values and materials at any time without prior or direct notice.