

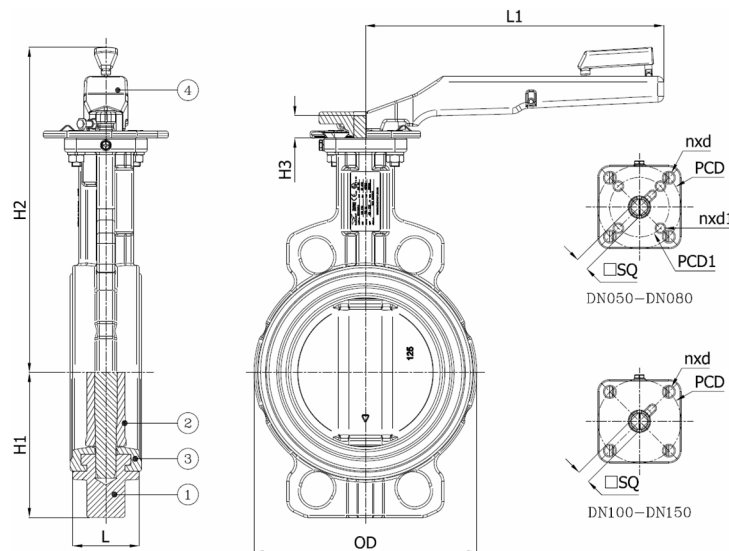
Technical Product Sheet

BV10NPA-2366E-PN10/PN16 - Lever

Wafer type butterfly valve, mounting between flanges PN10/PN16, with lockable lever
Face to Face Standard: EN 558-1 Table 1 series 20



Item Number	Belven Ref.
10HCD216E10050	BV10NPA-2366E-PN16-DN050 - LEVER
10HCD216E10065	BV10NPA-2366E-PN16-DN065 - LEVER
10HCD216E10080	BV10NPA-2366E-PN16-DN080 - LEVER
10HCD216E10100	BV10NPA-2366E-PN16-DN100 - LEVER
10HCD216E10125	BV10NPA-2366E-PN16-DN125 - LEVER
10HCD216E10150	BV10NPA-2366E-PN16-DN150 - LEVER



DN/Size	L	H1	H2	H3	OD	L1	SQ	ISO	PCD	n x d1	PCD1	ISO1	n x d	Press.Cl.	Weight(kg)
DN050 (2")	43	65	218	19	96	200	11	F05	50	4 x d10	70	F07	4 x d7	PN16	3.70
DN065 (2 1/2")	46	71	230	19	110	200	11	F05	50	4 x d10	70	F07	4 x d7	PN16	4.50
DN080 (3")	46	77	237	19	124	200	11	F05	50	4 x d10	70	F07	4 x d7	PN16	4.70
DN100 (4")	52	107	256	19	148	200	11	F07	70				4 x d10	PN16	6.00
DN125 (5")	56	122	272	19	180	250	14	F07	70				4 x d10	PN16	8.10
DN150 (6")	56	150	285	19	206	250	14	F07	70				4 x d10	PN16	9.00

Item 1	Item 2	Item 3	Item 4
Body Material	Seat Material	Disc Material	Actuator Material
Cast iron : GG25 + Epoxy coating	EPDM	Stainless steel : CF8M	Ductile iron