

# Technical Product Sheet

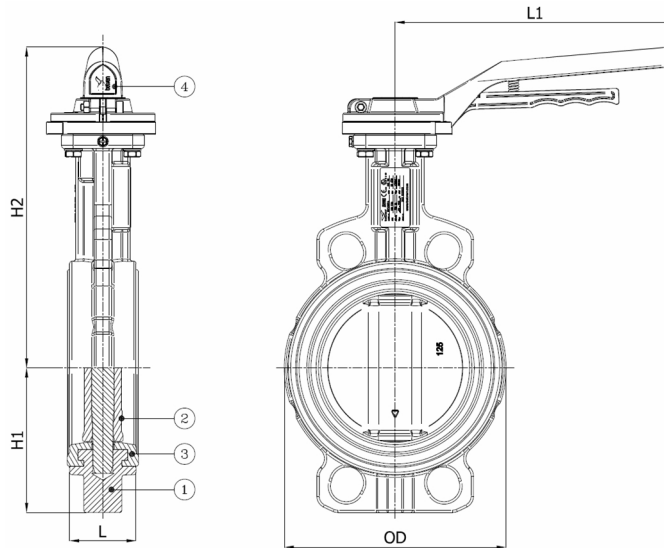
## BV10NPA-2366V-PN10/PN16 - Aluminium Lever

Wafer type butterfly valve, mounting between flanges PN10/PN16, with aluminium lever

Face to Face Standard: EN 558-1 Table 1 series 20



Item Number	Belven Ref.
10HCD116V1A0050	BV10NPA-2366V-PN10-DN050 - ALU LEVER
10HCD116V1A0065	BV10NPA-2366V-PN10-DN065 - ALU LEVER
10HCD116V1A0080	BV10NPA-2366V-PN10-DN080 - ALU LEVER
10HCD116V1A0100	BV10NPA-2366V-PN10-DN100 - ALU LEVER
10HCD116V1A0125	BV10NPA-2366V-PN10-DN125 - ALU LEVER
10HCD116V1A0150	BV10NPA-2366V-PN10-DN150 - ALU LEVER



DN/Size	L	H1	H2	OD	L1	Press.Cl.	Weight(kg)
DN050 (2")	43	65	218	96	210	PN10	3.40
DN065 (2 1/2")	46	71	230	110	210	PN10	4.20
DN080 (3")	46	77	237	124	210	PN10	4.40
DN100 (4")	52	107	256	148	210	PN10	5.70
DN125 (5")	56	122	272	180	210	PN10	7.70
DN150 (6")	56	150	285	206	210	PN10	8.60

Item 1	Item 2	Item 3	Item 4
Body Material	Seat Material	Disc Material	Actuator Material
Cast iron : GG25 + Epoxy coating	VITON	Stainless steel : CF8M	Aluminium

Belven N.V.

Blokhuisstraat 24 | 2800 Mechelen | Belgium

Tel. 015 29 40 70 | Fax. 015 20 14 13 | [info@belven.com](mailto:info@belven.com) | [www.belven.com](http://www.belven.com)

We keep the right to change the mentioned dimensions, weights, values and materials at any time without prior or direct notice.