

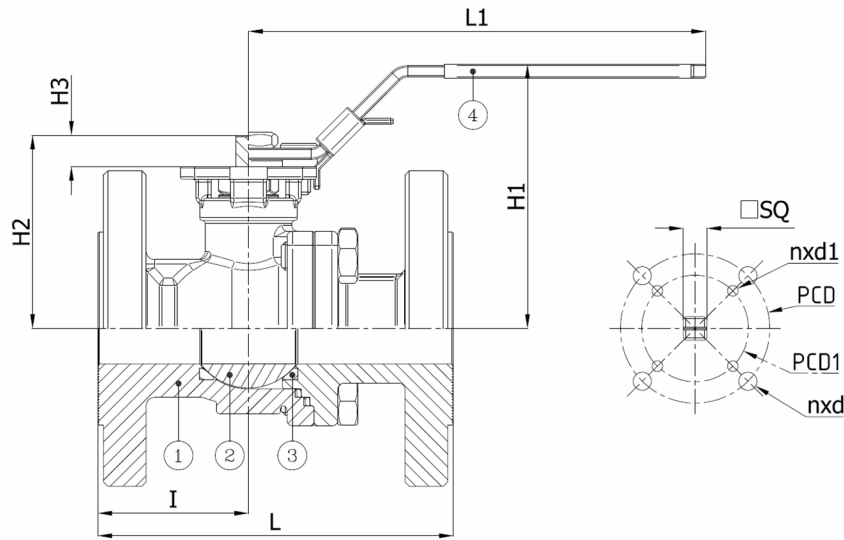
# Technical Product Sheet

## BV4S-4466T-A150 - Lever

Ball valve, full bore, split body, flanged ANSI 150lbs, with lever  
Face to Face Standard: ANSI B16.10



Item Number	Belven Ref.
04S7A57F1025	BV4S-4466T-A150-DN025 - LEVER
04S7A57F1040	BV4S-4466T-A150-DN040 - LEVER
04S7A57F1050	BV4S-4466T-A150-DN050 - LEVER
04S7A57F1080	BV4S-4466T-A150-DN080 - LEVER
04S7A57F1100	BV4S-4466T-A150-DN100 - LEVER



DN/Size	L	H1	H2	H3	I	L1	SQ	ISO	PCD	n x d1	PCD1	n x d	Press.Cl.	Weight(kg)
DN025 (1")	127	94	69	11	53	160	9	F05	50			4 x d7	A150	3.70
DN040 (1 1/2")	165	119	94	14	52	240	11	F05/F07	70	4 x M6	50	4 x d8,5	A150	6.70
DN050 (2")	178	128	103	13,5	57,5	240	11	F05/F07	70	4 x M6	50	4 x d8,5	A150	9.30
DN080 (3")	203	163	137,5	17,5	75,5	320	14	F07/F10	102	4 x M10	70	4 x d11	A150	17.20
DN100 (4")	229	177	153,5	19	80	380	17	F07/F10	102	4 x M10	70	4 x d11	A150	23.40

Item 1	Item 2	Item 3	Item 4
Body Material	Ball Material	Seat Material	Actuator Material
Carbon steel : 1.0619 (WCB)	Stainless steel : A182-F304/A351-CF8	PTFE	Stainless steel

Belven N.V.

Blokhuisstraat 24 | 2800 Mechelen | Belgium  
Tel. 015 29 40 70 | Fax. 015 20 14 13 | info@belven.com | www.belven.com

We keep the right to change the mentioned dimensions, weights, values and materials at any time without prior or direct notice.