

Technical Product Sheet

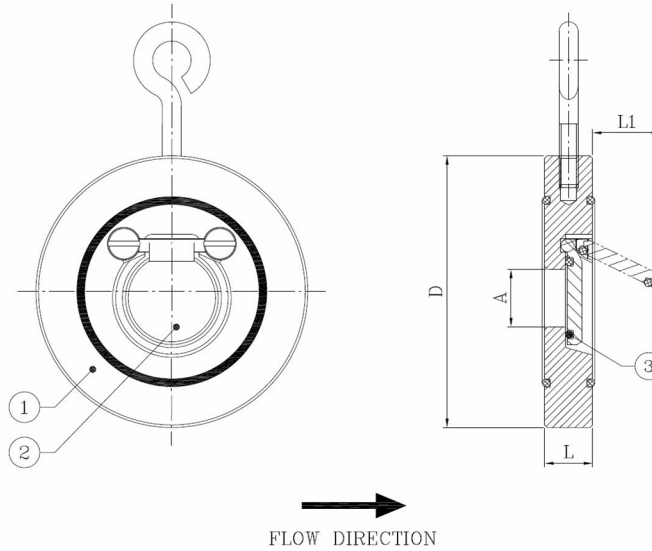
BV38-6666B-PN10/PN16

Wafer type swing check valve, mounting between flanges PN10/16

Face to Face Standard: Factory standard



Item Number	Belven Ref.
383077B0032	BV38-6666B-PN16-DN032
383077B0040	BV38-6666B-PN16-DN040
383077B0050	BV38-6666B-PN16-DN050
383077B0065	BV38-6666B-PN16-DN065
383077B0080	BV38-6666B-PN16-DN080
383077B0100	BV38-6666B-PN16-DN100
383077B0125	BV38-6666B-PN16-DN125
383077B0150	BV38-6666B-PN16-DN150
383077B0200	BV38-6666B-PN16-DN200



DN/Size	L	D	A	L1	Press.Cl.	Weight(kg)
DN032 (1 1/4")	15	85	18	22	PN16	0.60
DN040 (1 1/2")	16	95	22	25	PN16	0.80
DN050 (2")	14	109	32	37	PN16	0.90
DN065 (2 1/2")	14	129	40	50	PN16	1.20
DN080 (3")	14	144	54	61	PN16	1.50
DN100 (4")	18	164	70	77	PN16	2.40
DN125 (5")	18	195	92	98	PN16	3.30
DN150 (6")	20	220	112	120	PN16	4.60
DN200 (8")	22	275	154	160	PN16	7.70

Item 1	Item 2	Item 3
Body Material	Disc Material	Seat Material
Stainless steel : 1.4408 (CF8M)	Stainless steel : 1.4408/1.4581 (CF8M/AISI 316Nb)	NBR

Belven N.V.

Blokhuisstraat 24 | 2800 Mechelen | Belgium

Tel. 015 29 40 70 | Fax. 015 20 14 13 | info@belven.com | www.belven.com

We keep the right to change the mentioned dimensions, weights, values and materials at any time without prior or direct notice.