

Technical Product Sheet

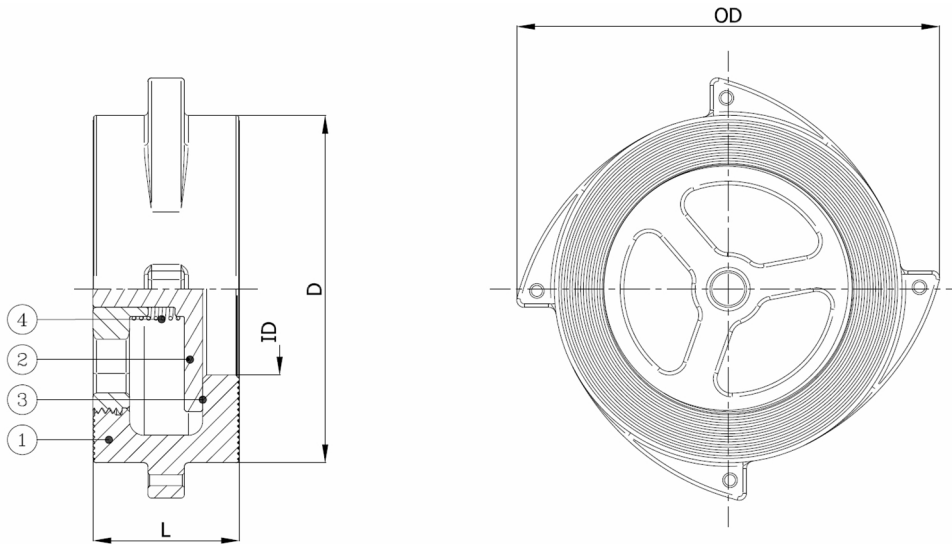
BV36-6666M-A150

Wafer type disc check valve, mounting between flanges PN10/PN16/PN25/PN40/A150

Face to Face Standard: EN 558-1 series 49



Item Number	Belven Ref.
367077M0015	BV36-6666M-A150-DN015
367077M0020	BV36-6666M-A150-DN020
367077M0025	BV36-6666M-A150-DN025
367077M0032	BV36-6666M-A150-DN032
367077M0040	BV36-6666M-A150-DN040
367077M0050	BV36-6666M-A150-DN050
367077M0065	BV36-6666M-A150-DN065
367077M0080	BV36-6666M-A150-DN080
367077M0100	BV36-6666M-A150-DN100



DN/Size	L	ID	OD	D	Press.Cl.	Weight(kg)
DN015 (1/2")	16	15	56	43	PN40	0.11
DN020 (3/4")	19	19	69	53	PN40	0.20
DN025 (1")	22	25	76	63	PN40	0.27
DN032 (1 1/4")	28	32	87	75	PN40	0.44
DN040 (1 1/2")	31,5	38	101	80	PN40	0.64
DN050 (2")	40	47	114	95	PN40	0.96
DN065 (2 1/2")	46	63	136	115	PN40	1.44
DN080 (3")	50	77	154	131	PN40	2.08
DN100 (4")	60	97,5	176	150	PN40	3.31

Item 1	Item 2	Item 3
Body Material	Disc Material	Seat Material
Stainless steel : 1.4408 (CF8M)	Stainless steel : 1.4408 (CF8M)	METAL

Belven N.V.

Blokhuisstraat 24 | 2800 Mechelen | Belgium

Tel. 015 29 40 70 | Fax. 015 20 14 13 | info@belven.com | www.belven.com

We keep the right to change the mentioned dimensions, weights, values and materials at any time without prior or direct notice.