

# Technical Product Sheet

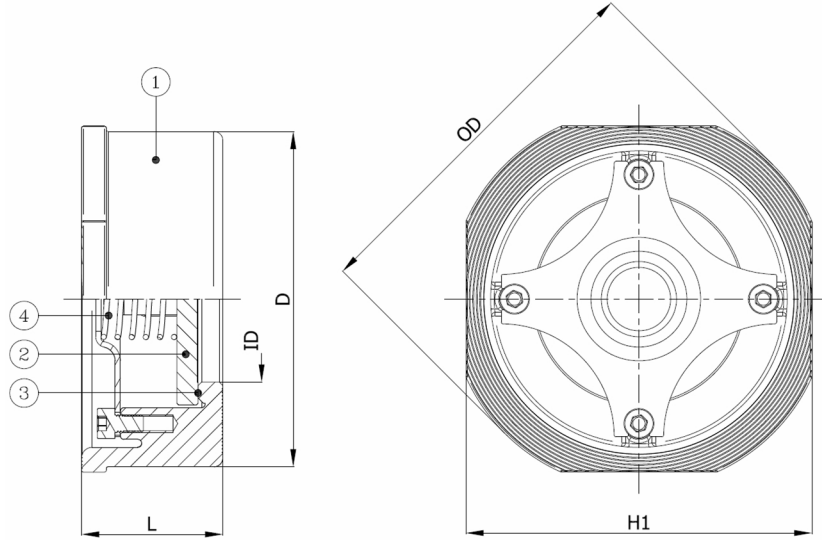
## BV36-6666M-PN10/PN16/PN25/PN40

Wafer type disc check valve, mounting between flanges PN10/PN16/PN25/PN40

Face to Face Standard: EN 558-1 series 49



Item Number	Belven Ref.
36507800015	BV36-6666M-PN40-DN015
36507800020	BV36-6666M-PN40-DN020
36507800025	BV36-6666M-PN40-DN025
36507800032	BV36-6666M-PN40-DN032
36507800040	BV36-6666M-PN40-DN040
36507800050	BV36-6666M-PN40-DN050
36507800065	BV36-6666M-PN40-DN065
36507800080	BV36-6666M-PN40-DN080
36507800100	BV36-6666M-PN40-DN100



DN/Size	L	H1	ID	OD	D	Press.Cl.	Weight(kg)
DN015 (1/2")	16	43	15	53	43	PN40	0.11
DN020 (3/4")	19	53	20	63	53	PN40	0.20
DN025 (1")	22	63	25	73	63	PN40	0.27
DN032 (1 1/4")	28	75	30	84	75	PN40	0.44
DN040 (1 1/2")	32	86	38	94	86	PN40	0.64
DN050 (2")	40	95	47	107	95	PN40	0.96
DN065 (2 1/2")	46	115	62	126	115	PN40	1.44
DN080 (3")	50	131	77	145	131	PN40	2.08
DN100 (4")	60	150	86	164	150	PN40	3.31

Item 1	Item 2	Item 3
Body Material	Disc Material	Seat Material
Stainless steel : 1.4408 (CF8M)	Stainless steel : 1.4436 (AISI 316)	METAL

Belven N.V.

Blokhuisstraat 24 | 2800 Mechelen | Belgium

Tel. 015 29 40 70 | Fax. 015 20 14 13 | [info@belven.com](mailto:info@belven.com) | [www.belven.com](http://www.belven.com)

We keep the right to change the mentioned dimensions, weights, values and materials at any time without prior or direct notice.