

# Technical Product Sheet

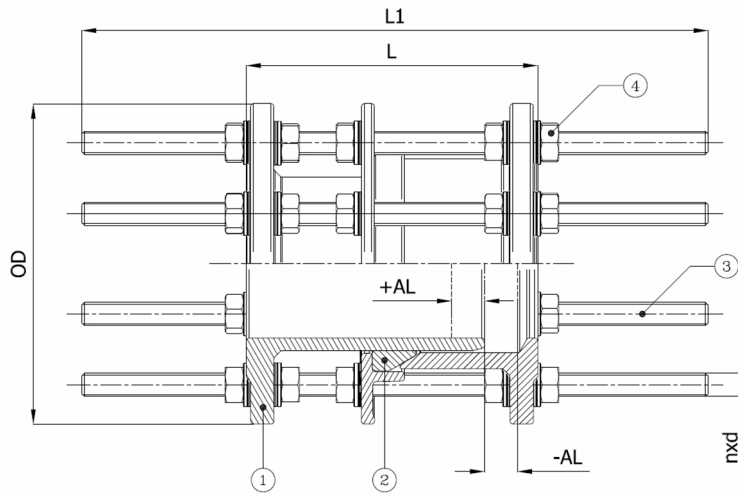
## BV51A-3434B-PN10/16

Restrained dismantling joint with flange-to-flange tie rods, flanged PN10/16

Face to Face Standard: Factory standard



Item Number	Belven Ref.
51A3F44B0065	BV51A-3434B-PN16 DN065
51A3F44B0080	BV51A-3434B-PN16 DN080
51A3F44B0100	BV51A-3434B-PN16 DN100
51A3F44B0125	BV51A-3434B-PN16 DN125
51A3F44B0150	BV51A-3434B-PN16 DN150



DN/Size	L	L1	+ AL	- AL	n x d	OD	Press.Cl.	Weight(kg)
DN065 (2 1/2")	200	430	25	25	4 x M16	185	PN16	12.10
DN080 (3")	200	430	25	25	8 x M16	200	PN16	14.50
DN100 (4")	200	430	25	25	8 x M16	220	PN16	19.40
DN125 (5")	200	430	25	25	8 x M16	250	PN16	25.00
DN150 (6")	200	430	25	25	8 x M20	285	PN16	32.70

Item 1	Item 2	Item 3	Item 4
Body Material	Joint Material	Material Tie Rod	Material Fasteners
Ductile iron : GGG50 + Epoxy coating	NBR	Stainless steel : AISI 304	Brass

Belven N.V.

Blokhuisstraat 24 | 2800 Mechelen | Belgium

Tel. 015 29 40 70 | Fax. 015 20 14 13 | [info@belven.com](mailto:info@belven.com) | [www.belven.com](http://www.belven.com)

We keep the right to change the mentioned dimensions, weights, values and materials at any time without prior or direct notice.