

Technical Product Sheet

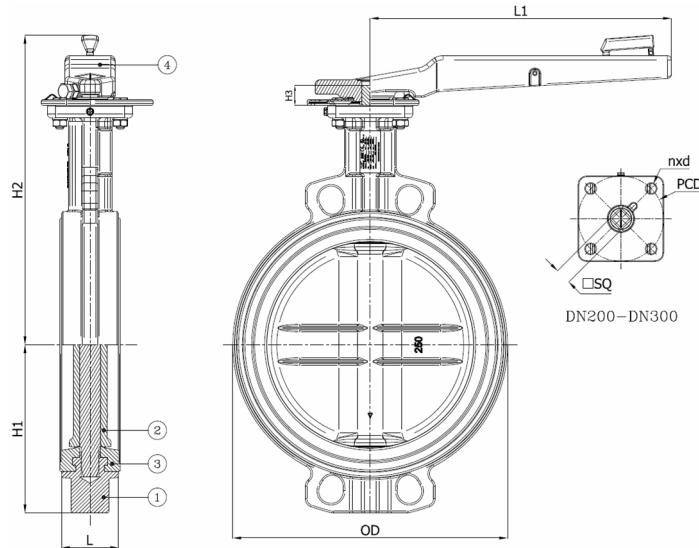
BV10NPA-2466V-PN10/PN16 - Lever

Wafer type butterfly valve, mounting between flanges PN10/PN16, with lockable lever

Face to Face Standard: EN 558-1 Table 1 series 20



Item Number	Belven Ref.
10HCD126V10200	BV10NPA-2466V-PN10-DN200 - LEVER
10HCD126V10250	BV10NPA-2466V-PN10-DN250 - LEVER
10HCD126V10300	BV10NPA-2466V-PN10-DN300 - LEVER



DN/Size	L	H1	H2	H3	OD	L1	SQ	ISO	PCD	n x d	Press.Cl.	Weight(kg)
DN200 (8")	60	165	324	24	259	355	17	F10	102	4 x d12	PN10	15.10
DN250 (10")	68	201	370	24	320	355	19	F10	102	4 x d12	PN10	22.80
DN300 (12")	78	234	393	24	370	355	22	F10	102	4 x d12	PN10	34.10

Item 1	Item 2	Item 3	Item 4
Body Material	Seat Material	Disc Material	Actuator Material
Ductile iron : GGG40 + Epoxy coating	VITON	Stainless steel : CF8M	Ductile iron

Belven N.V.

Blokhuisstraat 24 | 2800 Mechelen | Belgium

Tel. 015 29 40 70 | Fax. 015 20 14 13 | info@belven.com | www.belven.com

We keep the right to change the mentioned dimensions, weights, values and materials at any time without prior or direct notice.