

# Technical Product Sheet



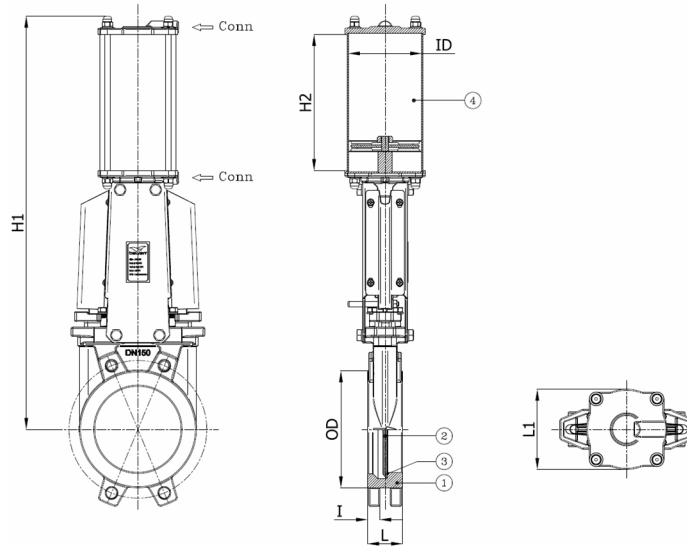
## BV50-2463E-PN10 - Double Acting

Knife gate valve, uni-directional, to be mounted between flanges PN10, with double acting pneumatic actuator  
Face to Face Standard: Factory standard

The actuator is selected for 20°C water with a pressure drop of 6 bar with 6 bar supply air pressure and minimum 1 cycle per week



Item Number	Belven Ref.
502046EDA0050	BV50-2463E-PN10 DN050 - DOUBLE ACTING
502046EDA0065	BV50-2463E-PN10 DN065 - DOUBLE ACTING
502046EDA0080	BV50-2463E-PN10 DN080 - DOUBLE ACTING
502046EDA0100	BV50-2463E-PN10 DN100 - DOUBLE ACTING
502046EDA0125	BV50-2463E-PN10 DN125 - DOUBLE ACTING
502046EDA0150	BV50-2463E-PN10 DN150 - DOUBLE ACTING
502046EDA0200	BV50-2463E-PN10 DN200 - DOUBLE ACTING
502046EDA0250	BV50-2463E-PN10 DN250 - DOUBLE ACTING
502046EDA0300	BV50-2463E-PN10 DN300 - DOUBLE ACTING



DN/Size	L	I	OD	H1	H2	ID	Conn.	L1	Press.Cl.	Weight(kg)
DN050 (2")	40	16	95	430	107	80	1/4" NPT	90	PN10	7.30
DN065 (2 1/2")	40	16	110	460	121,5	80	1/4" NPT	90	PN10	8.20
DN080 (3")	50	17	127	510	137	80	1/4" NPT	90	PN10	9.70
DN100 (4")	50	17	148	570	163	100	1/4" NPT	115	PN10	12.20
DN125 (5")	50	17	174	660	201,5	125	3/8" NPT	140	PN10	15.50
DN150 (6")	60	21	199	720	226,5	125	3/8" NPT	140	PN10	21.00
DN200 (8")	60	21	250	890	266,5	160	1/2" NPT	180	PN10	33.00
DN250 (10")	70	24	308	1120	340,5	200	1/2" NPT	215	PN10	53.00
DN300 (12")	70	24	360	1230	396	200	1/2" NPT	215	PN10	77.00

Item 1	Item 2	Item 3	Item 4
Body Material	Gate Material	Seat Material	Actuator Material
Ductile iron : GGG40	Stainless steel : AISI 304	EPDM	Aluminium

Belven N.V.

Blokhuisstraat 24 | 2800 Mechelen | Belgium  
Tel. 015 29 40 70 | Fax. 015 20 14 13 | info@belven.com | www.belven.com

We keep the right to change the mentioned dimensions, weights, values and materials at any time without prior or direct notice.