

Technical Product Sheet

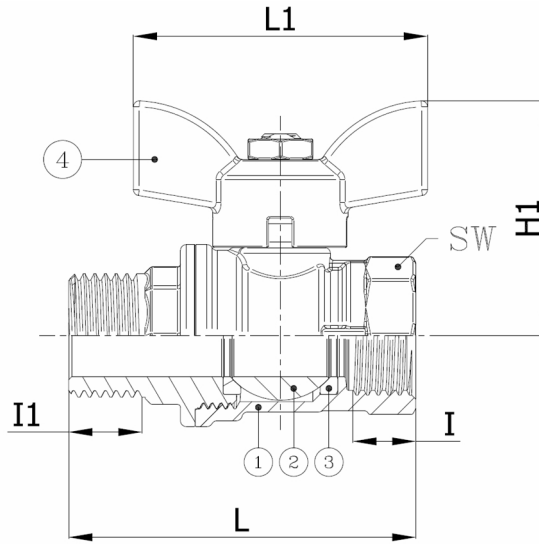
BV2-1821T-BSP (M/F)

Brass 2-way ball valve, full bore, threaded M/F ISO228/1-G, with T-lever

Face to Face Standard: Factory standard



Item Number	Belven Ref.
025122T1008	BV2-1821T-BSP(M/F) - 1/4" - T-LEVER
025122T1010	BV2-1821T-BSP(M/F) - 3/8" - T-LEVER
025122T1015	BV2-1821T-BSP(M/F) - 1/2" - T-LEVER
025122T1020	BV2-1821T-BSP(M/F) - 3/4" - T-LEVER
025122T1025	BV2-1821T-BSP(M/F) - 1" - T-LEVER



DN/Size	L	H1	I	I1	L1	SW	Press.Cl.	Weight(kg)
DN008 (1/4")	59	42	11	11	50	20	PN64	0.13
DN010 (3/8")	59,5	42	11,4	11,4	50	20	PN64	0.13
DN015 (1/2")	59	40,5	12	13	50	25	PN50	0.17
DN020 (3/4")	66,5	50,5	12	13	64	31	PN40	0.27
DN025 (1")	77,7	53	14,5	15	64	38	PN40	0.41

Item 1	Item 2	Item 3	Item 4
Body Material	Ball Material	Seat Material	Actuator Material
Brass : CW617N UNI EN 12420	Brass : CW617N UNI EN 12420	PTFE	Aluminium alloy EN AC-46100

Belven N.V.

Blokhuisstraat 24 | 2800 Mechelen | Belgium

Tel. 015 29 40 70 | Fax. 015 20 14 13 | info@belven.com | www.belven.com

We keep the right to change the mentioned dimensions, weights, values and materials at any time without prior or direct notice.