

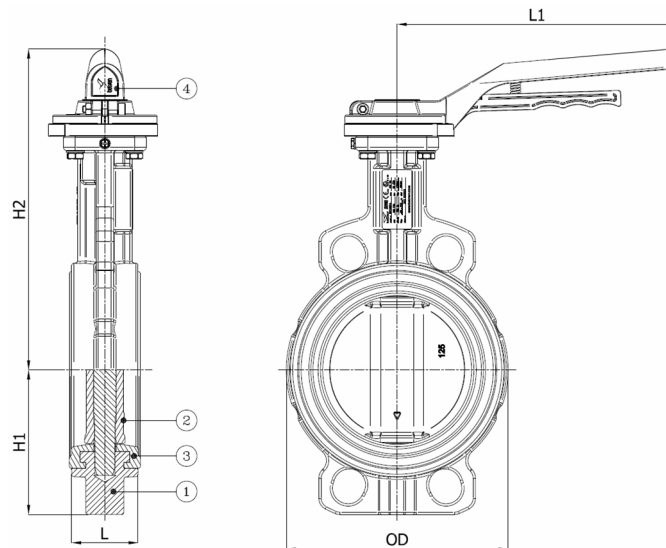
Technical Product Sheet

BV10NPA-2366E-PN10/PN16 - Aluminium Lever

Wafer type butterfly valve, mounting between flanges PN10/PN16, with aluminium lever
Face to Face Standard: EN 558-1 Table 1 series 20



Item Number	Belven Ref.
10HCD216E1A0050	BV10NPA-2366E-PN16-DN050 - ALU LEVER
10HCD216E1A0065	BV10NPA-2366E-PN16-DN065 - ALU LEVER
10HCD216E1A0080	BV10NPA-2366E-PN16-DN080 - ALU LEVER
10HCD216E1A0100	BV10NPA-2366E-PN16-DN100 - ALU LEVER
10HCD216E1A0125	BV10NPA-2366E-PN16-DN125 - ALU LEVER
10HCD216E1A0150	BV10NPA-2366E-PN16-DN150 - ALU LEVER



DN/Size	L	H1	H2	OD	L1	Press.Cl.	Weight(kg)
DN050 (2")	43	65	218	96	210	PN16	3.40
DN065 (2 1/2")	46	71	230	110	210	PN16	4.20
DN080 (3")	46	77	237	124	210	PN16	4.40
DN100 (4")	52	107	256	148	210	PN16	5.70
DN125 (5")	56	122	272	180	210	PN16	7.70
DN150 (6")	56	150	285	206	210	PN16	8.60

Item 1	Item 2	Item 3	Item 4
Body Material	Seat Material	Disc Material	Actuator Material
Cast iron : GG25 + Epoxy coating	EPDM	Stainless steel : CF8M	Aluminium