

BV12S-2466WB-PN10 - Lever

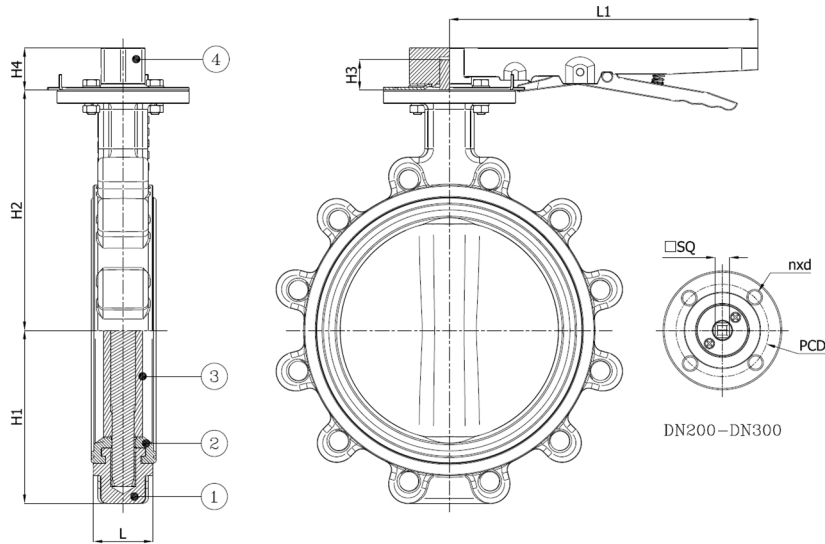
Lug type butterfly valve, mounting between flanges PN10, with lockable lever

Face to Face Standard: EN 558-1 Table 1 series 20

Seat made of white NBR, suitable for food applications, max. operating pressure 10 bar up to DN150, 6 bar for DN200 and larger, -10°C to 90°C



Item Number	Belven Ref.
12S002047WB10200	BV12S-2466WB-PN10-DN200 - LEVER
12S002047WB10250	BV12S-2466WB-PN10-DN250 - LEVER
12S002047WB10300	BV12S-2466WB-PN10-DN300 - LEVER



DN/Size	L	H1	H2	H3	H4	L1	SQ	ISO	PCD	n x d1	Press.Cl.	Weight(kg)
DN200 (8")	60	165	243,5	34,5	45	350	17	F10	102	4 x d12	6 bar	21.50
DN250 (10")	68	202	273	34,5	45	350	22	F10	102	4 x d12	6 bar	32.00
DN300 (12")	78	235	311	34,5	45	350	27	F12	125	4 x d14	6 bar	50.50

Item 1	Item 2	Item 3	Item 4
Body Material	Seat Material	Disc Material	Actuator Material
Ductile iron : GGG40 + Epoxy coating	White NBR	Stainless steel : CF8M	Malleable iron