

# Technical Product Sheet

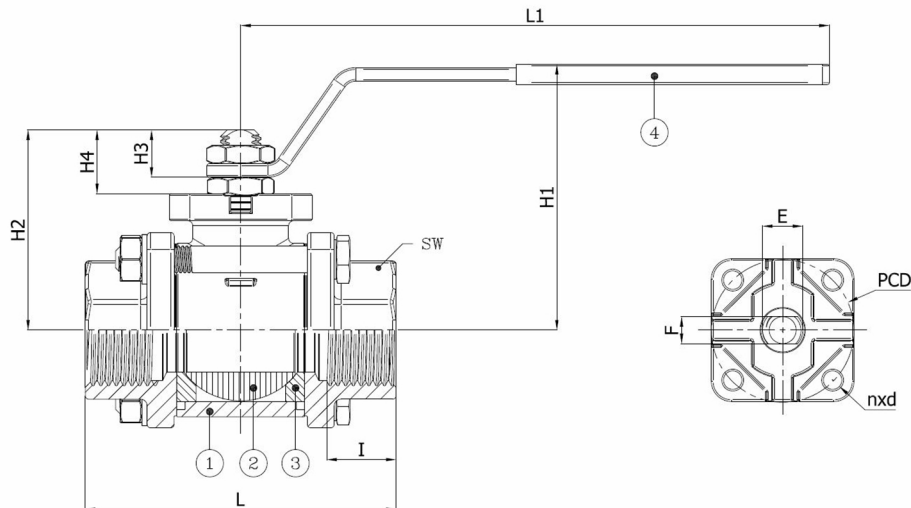


## BV3-2466T-BSP - Lever

Ball valve with 3-pce body, full bore, BSP threaded F/F ISO7/1-Rp, ISO 5211 mounting platform, with lever  
Face to Face Standard: Factory standard



Item Number	Belven Ref.
036157T1008	BV3-2466T-BSP - 1/4" - LEVER
036157T1010	BV3-2466T-BSP - 3/8" - LEVER
036157T1015	BV3-2466T-BSP - 1/2" - LEVER
036157T1020	BV3-2466T-BSP - 3/4" - LEVER
036157T1025	BV3-2466T-BSP - 1" - LEVER
036157T1032	BV3-2466T-BSP - 1 1/4" - LEVER
036157T1040	BV3-2466T-BSP - 1 1/2" - LEVER
036157T1050	BV3-2466T-BSP - 2" - LEVER
036157T1065	BV3-2466T-BSP - 2 1/2" - LEVER
036157T1080	BV3-2466T-BSP - 3" - LEVER
036157T1100	BV3-2466T-BSP - 4" - LEVER



DN/Size	L	H1	H2	H3	H4	I	L1	SW	E	F	ISO	PCD	n x d	Press.Cl.	Weight(kg)
DN008 (1/4")	57	50	35	9	13,5	11	110	22	8	5				PN64	0.30
DN010 (3/8")	57	50	35	9	13,5	11,4	110	22	8	5				PN64	0.30
DN015 (1/2")	65	64	47	10	15	15	131	27	10	7	F03	36	4 x 6	PN64	0.50
DN020 (3/4")	76	68	52	10	16	16,3	131	32	10	7	F04	42	4 x 5,5	PN40	0.70
DN025 (1")	92	79	60	12,5	19,5	19,1	174	41	12	8	F04	42	4 x 6	PN40	1.20
DN032 (1 1/4")	106	83	64	12,5	19,5	21,4	174	50	12	8	F04	42	4 x 5,5	PN25	1.70
DN040 (1 1/2")	116	100	79	16,5	24	21,5	250	55	16	10	F05	50	4 x 6,5	PN25	2.50
DN050 (2")	136	107	86	16,5	24	25,7	250	70	16	10	F05	50	4 x 6,5	PN25	3.90
DN065 (2 1/2")	153	126	103	18	28	30,2	321	90	20	14	F07	70	4 x M8	PN16	8.15
DN080 (3")	180	137	114	18	28	33,3	321	105	20	14	F07	70	4 x M8	PN16	12.80
DN100 (4")	217	156	137	22	34,5	39,3	381	130	24	18	F10	102	4 x M10	PN16	21.50

Item 1	Item 2	Item 3	Item 4
Body Material	Ball Material	Seat Material	Actuator Material
Carbon steel : A216 WCB	Stainless steel : A351 CF8/A182-F304	PTFE	Carbon steel

Belven N.V.

Blokhuisstraat 24 | 2800 Mechelen | Belgium  
Tel. 015 29 40 70 | Fax. 015 20 14 13 | info@belven.com | www.belven.com

We keep the right to change the mentioned dimensions, weights, values and materials at any time without prior or direct notice.