

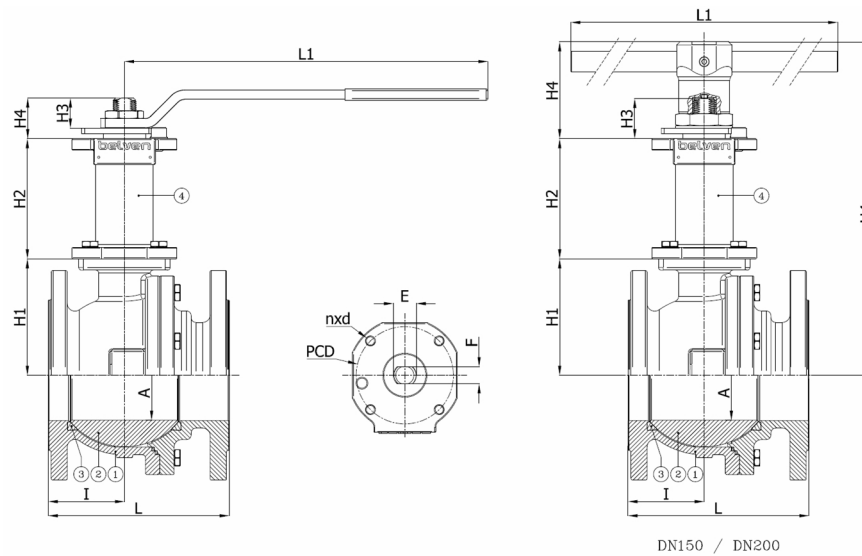
Technical Product Sheet

BV4-4466T-PN16 - DSTE with Lever

Ball valve, full bore, split body, flanged PN16, incl. stainless steel stem extension with protective tube and lever
Face to Face Standard: EN 558-1 series 27



Item Number	Belven Ref.
043D57DSTE1065	BV4-4466T-PN16-DN065 - DSTE-LEVER
043D57DSTE1080	BV4-4466T-PN16-DN080 - DSTE-LEVER
043D57DSTE1100	BV4-4466T-PN16-DN100 - DSTE-LEVER
043D57DSTE1125	BV4-4466T-PN16-DN125 - DSTE-LEVER
043D57DSTE1150	BV4-4466T-PN16-DN150 - DSTE-LEVER
043D57DSTE1200	BV4-4466T-PN16-DN200 - DSTE-LEVER



DN/Size	L	H1	H2	H3	H4	A	I	L1	E	F	ISO	PCD	n x d	Press.Cl.	Weight(kg)
DN065 (2 1/2")	170	93,5	121	18	51,8	64	61	321	M20	14	F07	70	4 x M8	PN16	18.20
DN080 (3")	180	108	126	18	52,7	76	75,5	381	M24	18	F10	102	4 x M10	PN16	23.10
DN100 (4")	190	122	126	18	52,7	95	80	381	M24	18	F10	102	4 x M10	PN16	30.60
DN125 (5")	325	144	126	18	52,7	125	149	381	M24	18	F10	102	4 x M10	PN16	50.60
DN150 (6")	350	177	145	27,5	120,5	150	157	700	M42	30	F12	125	4 x M12	PN16	83.00
DN200 (8")	400	220	145	27,5	120,5	200	190	700	M42	30	F12	125	4 x M12	PN16	141.00

Item 1	Item 2	Item 3	Item 4
Body Material	Ball Material	Seat Material	Actuator Material
Carbon steel : 1.0619 (WCB)	Stainless steel : A182-F304 / A351-CF8	PTFE	stainless steel AISI 316

Belven N.V.

Blokhuisstraat 24 | 2800 Mechelen | Belgium
Tel. 015 29 40 70 | Fax. 015 20 14 13 | info@belven.com | www.belven.com

We keep the right to change the mentioned dimensions, weights, values and materials at any time without prior or direct notice.