

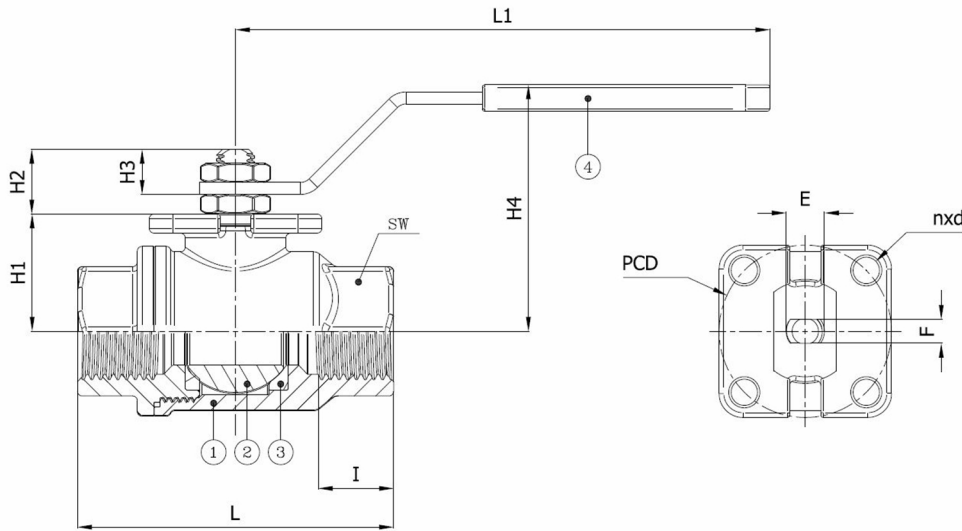
Technical Product Sheet

BV2-6666T-BSP

Ball valve with 2-pce body, full bore, BSP threaded F/F ISO7/1-Rp, ISO 5211 platform, with lever
Face to Face Standard: Factory standard



Item Number	Belven Ref.
027177R1006	BV2-6666T-BSP - 1/8" - LEVER
027177R1008	BV2-6666T-BSP - 1/4" - LEVER
027177R1010	BV2-6666T-BSP - 3/8" - LEVER
027177R1015	BV2-6666T-BSP - 1/2" - LEVER
027177R1020	BV2-6666T-BSP - 3/4" - LEVER
027177R1025	BV2-6666T-BSP - 1" - LEVER
027177R1032	BV2-6666T-BSP - 1 1/4" - LEVER
027177R1040	BV2-6666T-BSP - 1 1/2" - LEVER
027177R1050	BV2-6666T-BSP - 2" - LEVER



DN/Size	L	H1	H2	H3	H4	I	L1	SW	E	F	ISO	PCD	n x d	Press.Cl.	Weight(kg)
DN006 (1/8")	55	21,5	13,5	9	50	7,7	110	22	8	5	F03	36	4 x 5,5	PN140	0.26
DN008 (1/4")	55	21,5	13,5	9	50	11	110	22	8	5	F03	36	4 x 5,5	PN140	0.26
DN010 (3/8")	55	21,5	13,5	9	50	11,4	110	22	8	5	F03	36	4 x 5,5	PN140	0.25
DN015 (1/2")	66	24,5	13,5	9	53	15	110	27	8	5	F03	36	4 x 5,5	PN140	0.33
DN020 (3/4")	79	36	15	10	68	16,3	131	32	10	7	F04	42	4 x 5,5	PN105	0.60
DN025 (1")	93	40,5	19,5	12,5	79	19,1	174	41	12	8	F04	42	4 x 5,5	PN105	1.02
DN032 (1 1/4")	100	45	19,5	12,5	83	21,4	174	50	12	8	F04	42	4 x 5,5	PN64	1.31
DN040 (1 1/2")	110	55	24	16,5	100	21,4	250	55	16	10	F05	50	4 x 6,5	PN64	2.15
DN050 (2")	131	62	24	16,5	107	25,7	250	70	16	10	F05	50	4 x 6,5	PN64	3.25

Item 1	Item 2	Item 3	Item 4
Body Material	Ball Material	Seat Material	Actuator Material
Stainless steel : A351 CF8M	Stainless steel : A351 CF8M	PTFE	Stainless steel : AISI 430

Belven N.V.

Blokhuisstraat 24 | 2800 Mechelen | Belgium
Tel. 015 29 40 70 | Fax. 015 20 14 13 | info@belven.com | www.belven.com

We keep the right to change the mentioned dimensions, weights, values and materials at any time without prior or direct notice.