

Technical Product Sheet

BV10NPA-2366E-PN10/PN16 - Electric 110/240V

AC

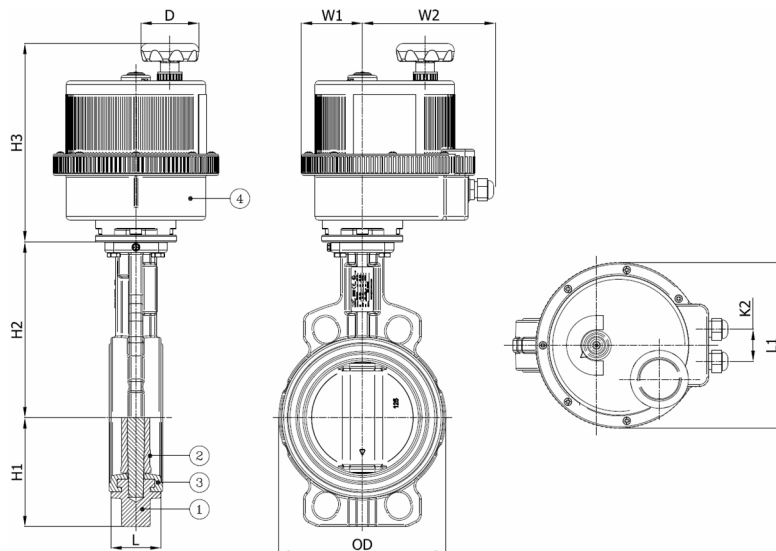
Wafer type butterfly valve, mounting between flanges PN10/PN16, with electric actuator

Face to Face Standard: EN 558-1 Table 1 series 20

The actuator is selected for 20°C water with a pressure drop of 6 bar and minimum 1 cycle per week - 110/240V AC



Item Number	Belven Ref.
10HCD216EXVV0050	BV10NPA-2366E-PN16-DN050 - VB015 110/240VAC
10HCD216EXVV0065	BV10NPA-2366E-PN16-DN065 - VB015 110/240VAC
10HCD216EXVV0080	BV10NPA-2366E-PN16-DN080 - VB030 110/240VAC
10HCD216EXVV0100	BV10NPA-2366E-PN16-DN100 - VB060 110/240VAC
10HCD216EXVV0125	BV10NPA-2366E-PN16-DN125 - VB060 110/240VAC
10HCD216EXVV0150	BV10NPA-2366E-PN16-DN150 - VB060 110/240VAC



DN/Size	L	H1	H2	H3	OD	L1	W2	W1	D	K2	Press.Cl.	Weight(kg)
DN050 (2")	43	65	143	148,5	96	123	120,5	42,5	68	32	PN16	4.70
DN065 (2 1/2")	46	71	155	148,5	110	123	120,5	42,5	68	32	PN16	5.50
DN080 (3")	46	77	162	195	124	157	129,5	60,5	65	36	PN16	6.60
DN100 (4")	52	107	181	222	148	185	146,5	67,5	65	36	PN16	8.90
DN125 (5")	56	122	197	222	180	185	146,5	67,5	65	36	PN16	10.90
DN150 (6")	56	150	210	222	206	185	146,5	67,5	65	36	PN16	11.80

Item 1	Item 2	Item 3	Item 4
Body Material	Seat Material	Disc Material	Actuator Material
Cast iron : GG25 + Epoxy coating	EPDM	Stainless steel : CF8M	Self-extinguishing polymer