

# Technical Product Sheet



## BV12-2425E-PN10/PN16 - Double Acting

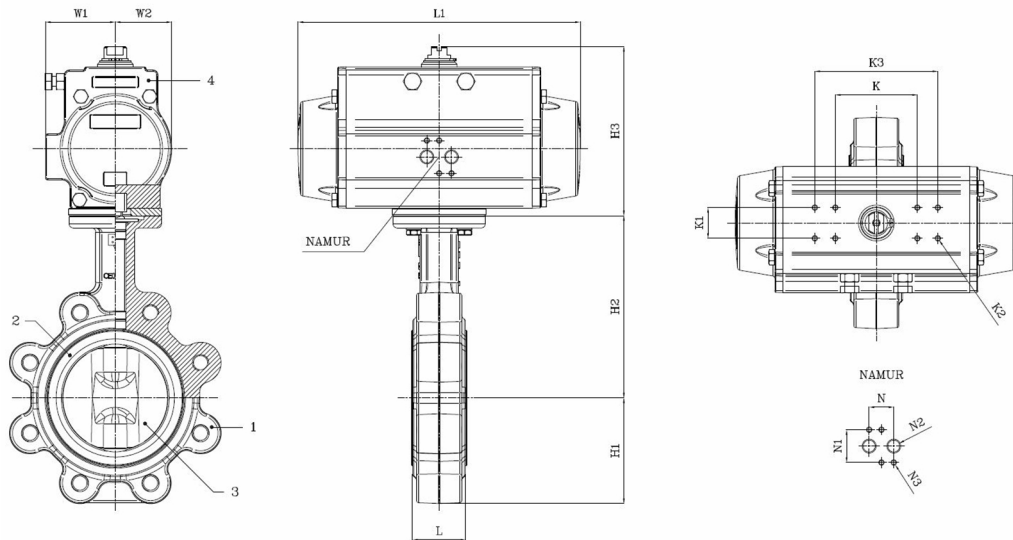
Lug type butterfly valve, mounting between flanges PN10/PN16, with double acting actuator

Face to Face Standard: EN 558-1 Table 1 series 20

The actuator is selected for 20°C water with a pressure drop of 6 bar with 6 bar supply air pressure and minimum 1 cycle per week



Item Number	Belven Ref.
121023EDA20050	BV12-2425E-PN16-DN050 - DA052
121023EDA20065	BV12-2425E-PN16-DN065 - DA052
121023EDA20080	BV12-2425E-PN16-DN080 - DA063
121023EDA20100	BV12-2425E-PN16-DN100 - DA075
121023EDA20125	BV12-2425E-PN16-DN125 - DA075
121023EDA20150	BV12-2425E-PN16-DN150 - DA100



DN/Size	L	H1	H2	H3	H4	L1	W1	W2	K	K1	K2	N	N1	N2	N3	Press.Cl.	Weight(kg)
DN050 (2")	43	71,4	142,7	113,5	20	141	41	30	80	30	M5	24	32	1/8"	M5	PN16	4.60
DN065 (2 1/2")	46	77,8	155,4	113,5	20	141	41	30	80	30	M5	24	32	1/8"	M5	PN16	5.40
DN080 (3")	46	89	161,8	125	20	164	45	35,5	80	30	M5	24	32	1/8"	M5	PN16	6.70
DN100 (4")	52	102	178	137	20	210	52,5	42	80	30	M5	24	32	1/8"	M5	PN16	10.80
DN125 (5")	56	123	190,5	137	20	210	52,5	42	80	30	M5	24	32	1/8"	M5	PN16	12.70
DN150 (6")	56	138	205,2	164,8	20	275	68	55	80	30	M5	24	32	1/4"	M5	PN16	16.60

Item 1	Item 2	Item 3	Item 4
Body Material	Seat Material	Disc Material	Actuator Material
Ductile iron : GGG40 + Epoxy coating	EPDM	Nickel plated : GGG40 + Ni	Extruded aluminium

Belven N.V.

Blokhuisstraat 24 | 2800 Mechelen | Belgium

Tel. 015 29 40 70 | Fax. 015 20 14 13 | [info@belven.com](mailto:info@belven.com) | [www.belven.com](http://www.belven.com)

We keep the right to change the mentioned dimensions, weights, values and materials at any time without prior or direct notice.