

Technical Product Sheet

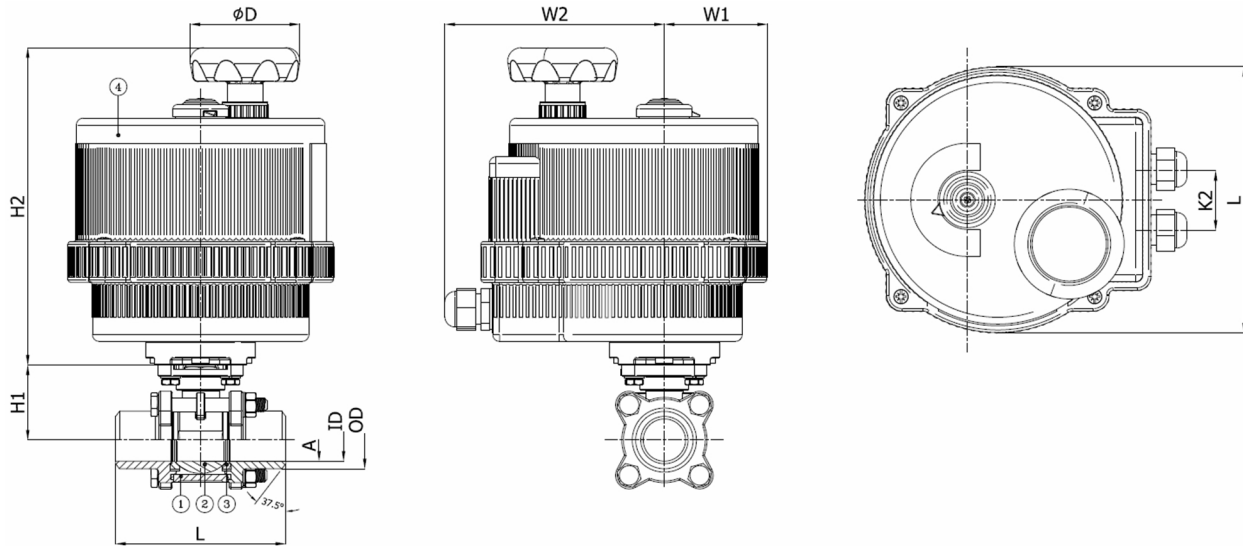
BV3M3-6666T-BW - Electric 110/240V AC

Ball valve with 3-pce body, full bore, welding ends BW ASME B16.25 Sched.40, with electric actuator
Face to Face Standard: DIN 3202-2 S13

The actuator is selected for 20°C water with a pressure drop of 6 bar and minimum 1 cycle per week - 110/240V AC



Item Number	Belven Ref.
03M36877TEL008	BV3M3-6666T-BW - 1/4" - VB015 110/240VAC
03M36877TEL010	BV3M3-6666T-BW - 3/8" - VB015 110/240VAC
03M36877TEL015	BV3M3-6666T-BW - 1/2" - VB015 110/240VAC
03M36877TEL020	BV3M3-6666T-BW - 3/4" - VB015 110/240VAC
03M36877TEL025	BV3M3-6666T-BW - 1" - VB030 110/240VAC
03M36877TEL032	BV3M3-6666T-BW - 1 1/4" - VB060 110/240VAC
03M36877TEL040	BV3M3-6666T-BW - 1 1/2" - VB060 110/240VAC
03M36877TEL050	BV3M3-6666T-BW - 2" - VB060 110/240VAC



DN/Size	L	H1	H2	A	L1	ID	OD	W1	W2	D	K2	Press.Cl.	Weight(kg)
DN008 (1/4")	55	36	141,5	11,6	123	11,6	18,1	42,5	120,5	68	32	1000 WOG	1.87
DN010 (3/8")	60	36	141,5	12,8	123	12,8	18,1	42,5	120,5	68	32	1000 WOG	1.87
DN015 (1/2")	75	38	141,5	15	123	15	21,7	42,5	120,5	68	32	1000 WOG	2.01
DN020 (3/4")	90	41,7	141,5	20	123	20	27,2	42,5	120,5	68	32	1000 WOG	2.27
DN025 (1")	100	44,4	188	25	157	25	34	60,5	129,5	65	36	1000 WOG	3.38
DN032 (1 1/4")	110	52,8	215	32	185	32	42,7	67,5	146,5	65	36	1000 WOG	5.10
DN040 (1 1/2")	125	58,5	215	38	185	38	48,6	67,5	146,5	65	36	1000 WOG	5.76
DN050 (2")	150	66	215	50	185	50	60,5	67,5	146,5	65	36	1000 WOG	6.96

Item 1	Item 2	Item 3	Item 4
Body Material	Ball Material	Seat Material	Actuator Material
Stainless steel : A351 CF8M	Stainless steel : A351 CF8M	PTFE	Extruded aluminium