

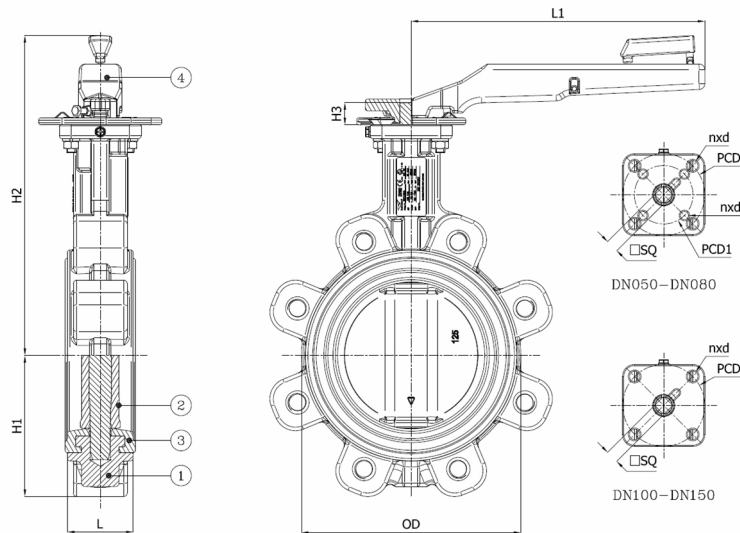
Technical Product Sheet

BV12NPA-2466E-PN10/PN16 - Lever

Lug type butterfly valve, mounting between flanges PN10/PN16, with lockable lever
Face to Face Standard: EN 558-1 Table 1 series 20



Item Number	Belven Ref.
12HCD226E10050	BV12NPA-2466E-PN16-DN050 - LEVER
12HCD226E10065	BV12NPA-2466E-PN16-DN065 - LEVER
12HCD226E10080	BV12NPA-2466E-PN16-DN080 - LEVER
12HCD226E10100	BV12NPA-2466E-PN16-DN100 - LEVER
12HCD226E10125	BV12NPA-2466E-PN16-DN125 - LEVER
12HCD226E10150	BV12NPA-2466E-PN16-DN150 - LEVER



DN/Size	L	H1	H2	H3	OD	L1	SQ	ISO	PCD	n x d1	PCD1	ISO1	n x d	Press.Cl.	Weight(kg)
DN050 (2")	43	65	218	19	96	200	11	F05	50	4 x d10	70	F07	4 x d7	PN16	4.10
DN065 (2 1/2")	46	71	230	19	110	200	11	F05	50	4 x d10	70	F07	4 x d7	PN16	4.70
DN080 (3")	46	77	237	19	124	200	11	F05	50	4 x d10	70	F07	4 x d7	PN16	5.20
DN100 (4")	52	107	256	19	148	200	11	F07	70				4 x d10	PN16	8.40
DN125 (5")	56	122	272	19	180	250	14	F07	70				4 x d10	PN16	10.30
DN150 (6")	56	150	285	19	206	250	14	F07	70				4 x d10	PN16	12.00

Item 1	Item 2	Item 3	Item 4
Body Material	Seat Material	Disc Material	Actuator Material
Ductile iron : GGG40 + Epoxy coating	EPDM	Stainless steel : CF8M	Ductile iron

Belven N.V.

Blokhuisstraat 24 | 2800 Mechelen | Belgium
Tel. 015 29 40 70 | Fax. 015 20 14 13 | info@belven.com | www.belven.com

We keep the right to change the mentioned dimensions, weights, values and materials at any time without prior or direct notice.