

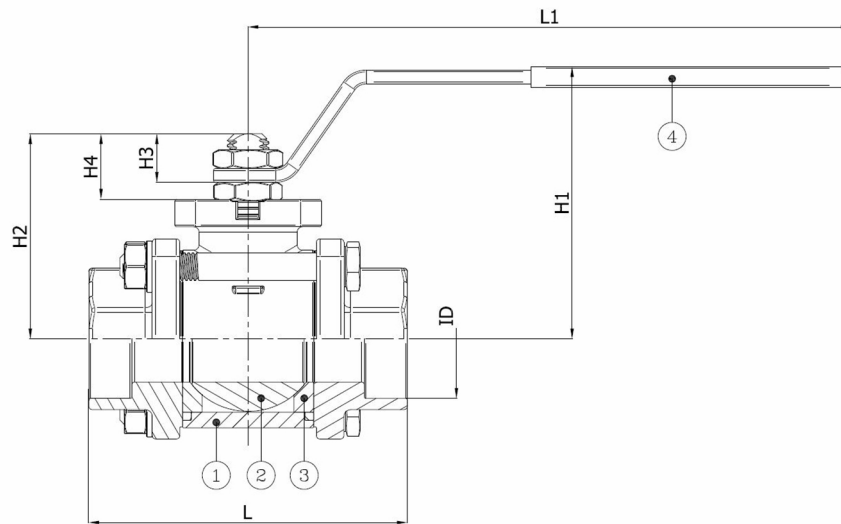
Technical Product Sheet

BV3-6666T-SW - Lever

Ball valve with 3-pce body, full bore, SW welding sockets, ISO 5211 mounting platform, with lever
Face to Face Standard: Factory standard



Item Number	Belven Ref.
036777T1010	BV3-6666T-SW - 3/8" - LEVER
036777T1015	BV3-6666T-SW - 1/2" - LEVER
036777T1020	BV3-6666T-SW - 3/4" - LEVER
036777T1025	BV3-6666T-SW - 1" - LEVER
036777T1032	BV3-6666T-SW - 1 1/4" - LEVER
036777T1040	BV3-6666T-SW - 1 1/2" - LEVER
036777T1050	BV3-6666T-SW - 2" - LEVER
036777T1065	BV3-6666T-SW - 2 1/2" - LEVER
036777T1080	BV3-6666T-SW - 3" - LEVER
036777T1100	BV3-6666T-SW - 4" - LEVER



DN/Size	L	H1	H2	H3	H4	I	L1	ID	E	F	ISO	PCD	n x d	Press.Cl.	Weight(kg)
DN010 (3/8")	57	50	35	9	13,5	9,5	110	18,2	8	5				PN64	0.30
DN015 (1/2")	65	64	47	10	15	9,5	131	22,4	10	7	F03	36	4 x 6	PN64	0.50
DN020 (3/4")	76	68	52	10	16	11,1	131	27,7	10	7	F04	42	4 x 5,5	PN40	0.70
DN025 (1")	92	79	60	12,5	19,5	12,7	174	34,5	12	8	F04	42	4 x 6	PN40	1.20
DN032 (1 1/4")	106	83	64	12,5	19,5	14,3	174	43,2	12	8	F04	42	4 x 5,5	PN25	1.70
DN040 (1 1/2")	116	100	79	16,5	24	15,9	250	49,5	16	10	F05	50	4 x 6,5	PN25	2.50
DN050 (2")	136	107	86	16,5	24	17,5	250	62	16	10	F05	50	4 x 6,5	PN25	3.90
DN065 (2 1/2")	153	126	103	18	28	20	321	76,5	20	14	F07	70	4 x M8	PN16	8.15
DN080 (3")	180	137	114	18	28	20	321	89,5	20	14	F07	70	4 x M8	PN16	12.80
DN100 (4")	217	156	137	22	34,5	20	381	115	24	18	F10	102	4 x M10	PN16	21.50

Item 1	Item 2	Item 3	Item 4
Body Material	Ball Material	Seat Material	Actuator Material
Stainless steel : A351 CF8M	Stainless steel : A351 CF8M/A182-F316	PTFE	Stainless steel : AISI 430

Belven N.V.

Blokhuysstraat 24 | 2800 Mechelen | Belgium
Tel. 015 29 40 70 | Fax. 015 20 14 13 | info@belven.com | www.belven.com

We keep the right to change the mentioned dimensions, weights, values and materials at any time without prior or direct notice.