

# Technical Product Sheet

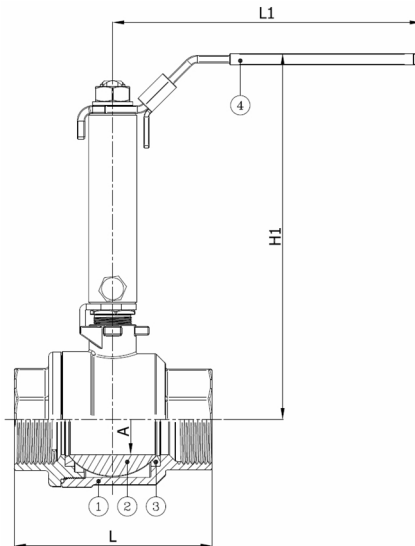


## BV2-6666T-LD-BSP - STE with lever

Ball valve with 2-pce body, full bore, BSP threaded F/F ISO7/1-Rp, with stainless steel stem extension and lockable lever  
Face to Face Standard: Factory standard



Item Number	Belven Ref.
026177T1S015-A	BV2-6666T-LD-BSP - 1/2" - STE-LEVER
026177T1S020-A	BV2-6666T-LD-BSP - 3/4" - STE-LEVER
026177T1S025-A	BV2-6666T-LD-BSP - 1" - STE-LEVER
026177T1S032-A	BV2-6666T-LD-BSP - 1 1/4" - STE-LEVER
026177T1S040-A	BV2-6666T-LD-BSP - 1 1/2" - STE-LEVER
026177T1S050-A	BV2-6666T-LD-BSP - 2" - STE-LEVER



DN/Size	L	H1	A	L1	Press.Cl.	Weight(kg)
DN015 (1/2")	59	145	15	80	1000 WOG	0.37
DN020 (3/4")	68,6	154,7	20	100	1000 WOG	0.52
DN025 (1")	78,6	165,3	24,5	125	1000 WOG	0.76
DN032 (1 1/4")	93,2	170,9	32	125	1000 WOG	1.21
DN040 (1 1/2")	103,1	184	38	160	1000 WOG	1.90
DN050 (2")	123,3	193,3	50	160	1000 WOG	2.95

Item 1	Item 2	Item 3	Item 4
Body Material	Ball Material	Seat Material	Actuator Material
Stainless steel : A351 CF8M	Stainless steel : A351 CF8M/A182-F316	PTFE	stainless steel AISI 316

Belven N.V.

Blokhuisstraat 24 | 2800 Mechelen | Belgium  
Tel. 015 29 40 70 | Fax. 015 20 14 13 | [info@belven.com](mailto:info@belven.com) | [www.belven.com](http://www.belven.com)

We keep the right to change the mentioned dimensions, weights, values and materials at any time without prior or direct notice.